

更改 REV	变更内容 MODIFICATION	日期 DATE	制图 DRAW	核准 APPROVE
A	图面发行	2011/8/29	Oscar	Oscar

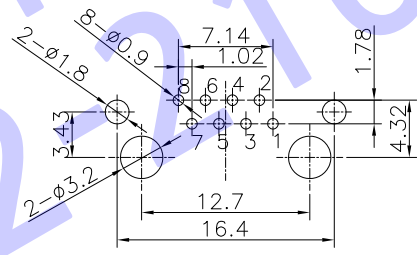
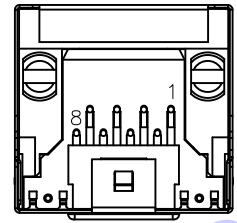
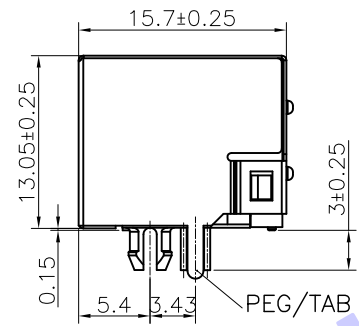
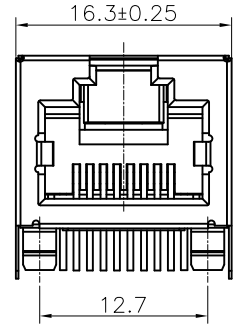
NOTES:

- MATERIAL:**
- HOUSING MATERIAL :GLASS FILLED POLYESTER(UL94V-0).
 - CONTACT MATERIAL :PHOSPHOR BRONZE ϕ 0.46mm (C5100).
 - PLATING :GOLD PLATING OVER NICKEL.
 - SHIELD: COPPER ALLOY(OR STEEL ALLOY) 0.20mm THICKNESS PLATING NI.
- ELECTRICAL:**
- VOLTAGE RATING :125 VAC RMS.
 - CURRENT RATING :1.5 AMP.
 - CONTACT RESISTANCE :50 MILLIOHMS MAX.
 - INSULATION RESISTANCE :500 MEGOHMS MIN @ 500V DC.
 - DIELECTRIC WITHSTANDING RESISTANCE :1000V AC RMS 50Hz. 1MIN.
- MECHANICAL:**
- DURRABILITY:750 CYCLES MIN.
 - PCB RETENTION PRE-SOLDER
- ENVIRONMENTAL:**
- STORAGE : -40°C TO +85°C.
 - OPERATION: -20°C TO 70°C.
- MATES WITH MODULAR PLUG CONFORMING TO FCC PART 68,SUBPART F.

PART NUMBER:

9801-3118810XXX

- 98 SERIES:
(LED&W/O LED JACK)
Product Type:
01-不开槽 有板引脚
- Shield Type:
1-W/O Shield 2-Half Shield 半板
3-不开槽 4-有上壳 5-左壳无槽 6-上,左壳无槽
7-上壳有槽,左壳有槽 8-上壳有槽,右壳有槽
- PIN STYPES :
1-脚位 2-脚位
- PORTS:
1-1X1 PORT 2-1X2 PORTS
4-1X4 PORTS 8-1X8 PORTS
- Positions:
6-6P 8-8P
- Contacts:
4-4C 6-6C 8-8C
- PEG/TAB &BACK PEG (选板脚及后壳板脚)
0-W/O PEG 1-脚长3.56 无板板脚
2-脚长3.43 无板板脚
- Gold plating u"
1-Fu" 2-2u" 3-3u" 4-6u"
5-15" 6-30u" 7-50u"
- Logo&PcbType:
0-不标
1-W/HXAN LOGO
2-W/HAXN&ULLOGO
- Plastics Material&Color:
1-PBT+20%GF Black
2-PA46 Black
- LED Style:
0-W/O LED
1-L Led:Green R Led:Yellow
2-L Led:Yellow R Led:Green
3-L Led:Green&Orange R Led:Yellow
4-L Led:Green&Red R Led:Yellow
5-L Led:Green&Yellow R Led:Yellow
6-L Led:Red R Led:Green



PC Board Layout

◎◎ : Inspection Item ◎P/CPK and SPC Control Item ◎PK	DIMENSION IN mm [Inch]		HDC 有限公司	
	TOLERANCE UNLESS OTHERWISE SPECIFIED		专案号 FILE NO.	图号 DWG NO. 9801-8P-006
	.X± 0.20	X:°± 1°	名称 TITLE 98 1X1 8P8C W/O LED JACK (不开槽)	
	.XX± 0.15	.X:°± 0.5°		
.XXX± 0.075		核准 APPROVE	审核 CHECK	制图 DRAW Oscar
		JDL		角法 PROJ. 原数 SHEET 1 / 1 比例 SCALE 1:1 图框 SIZE A3 更改 REV A