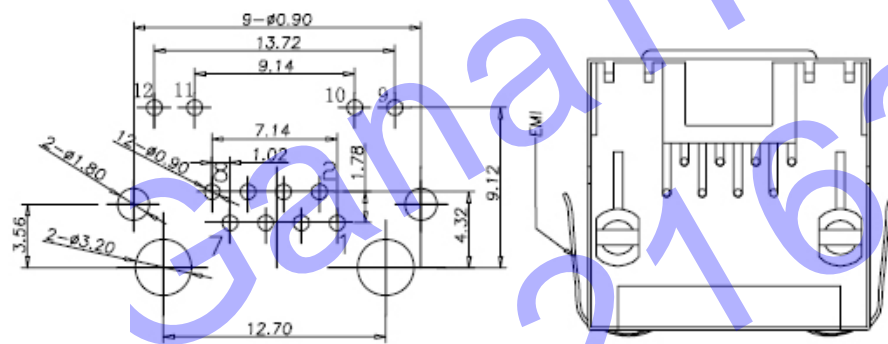
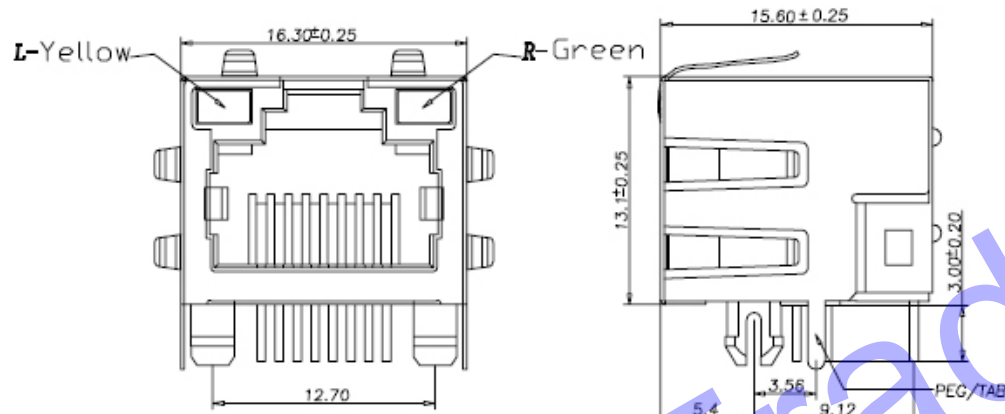


更改 REV	变更内容 MODIFICATION	日期 DATE	制图 DRAW	审核 APPROVE
A	图面发行	2012/10/29	JDL	Oscar

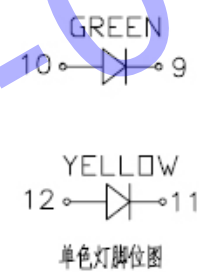
NOTES:

- MATERIAL:
- HOUSING MATERIAL :GLASS FILLED POLYESTER(UL94V-0).
  - CONTACT MATERIAL :PHOSPHOR BRONZE  $\phi 0.46\text{mm}$  (C5100).
  - PLATING :GOLD PLATING OVER NICKEL.
  - SHIELD COPPER ALLOY(OR STEEL ALLOY) 0.20mm THICKNESS PLATING NI.
  - LED OPTION.
- ELECTRICAL:
- VOLTAGE RATING :125 VAC RMS.
  - CURRENT RATING :1.5 AMP.
  - CONTACT RESISTANCE :50 MILLIOHMS MAX.
  - INSULATION RESISTANCE :500 MEGOHMS MIN @ 500V DC.
  - DIELECTRIC WITHSTANDING RESISTANCE :1000V AC RMS 50Hz, 1MIN.
  - LED RATINGS: FORWARD VOLTAGE:2.2 VOLTS TYPICAL, REVERSE VOLTAGE:5 VOLTS MAXIMUM.
- MECHANICAL:
- DURRABILITY:750 CYCLES MIN.
  - PCB RETENTION PRE-SOLDER
- ENVIRONMENTAL:
- STORAGE : -40°C TO +85°C.
  - OPERATION : -20°C TO 70°C.
- MATES WITH MODULAR PLUG CONFORMING TO FCC PART 68,SUBPART F.

PART NUMBER: 56A-S1188L1-E2XX



PC Board Layout



- GOLD PLATING U"  
1-Fu" 2-2u" 3-3u" 4-6u"
- PLASTIC MATERIAL&COLOR:Black/Yellow/Gray  
1-PBT+20%GF Black  
2-PA46 Black

QC : Inspection Item CPK : Cp/Cpk and SPC Control Item	DIMENSION IN mm [Inch]		HDC 有限公司私	
	TOLERANCE UNLESS OTHERWISE SPECIFIED		料号 FILE NO. H7076	图号 DWG NO. YL56A-S1188L1-E2
	.X± 0.20	X.*± 1"	名称 TITLE 56A 1X1 8P8C LED PCB JACK&SHIELDED WITH EMI FINGER SIDE ENTRY,TAB-UP,ROUND PIN	
	.XX± 0.15	.X.*± 0.5"		
.XXX± 0.075		制图 DRAW Oscar	审核 PROJ. SCALE 1:1	图幅 SHEET 1/1
核准 APPROVE	审核 CHECK	比例 SCALE 1:1	图幅 SIZE A3	更改 REV A