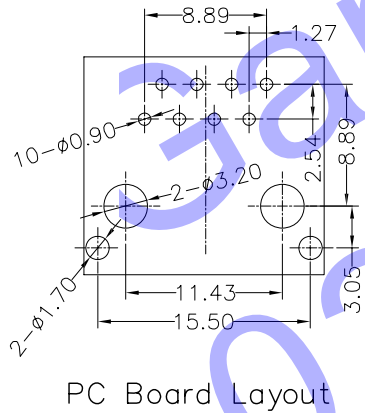
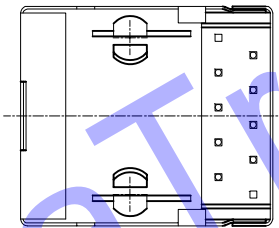
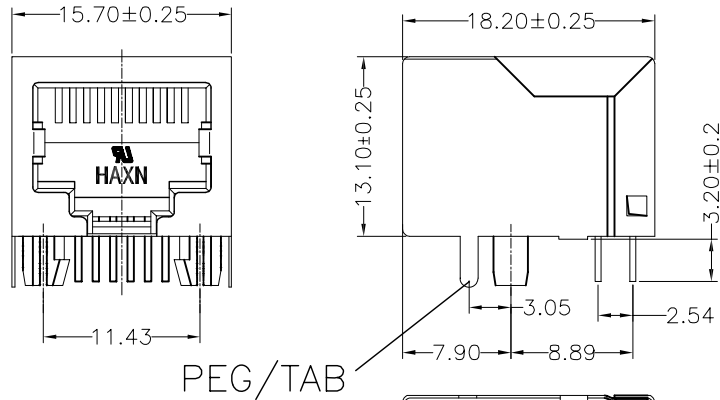


更改 REV	变更内容 MODIFICATION	日期 DATE	制图 DRAW	核准 APPROVE
A	图面发行	2011/8/29	Oscar	Oscar



NOTES:

MATERIAL:

- HOUSING MATERIAL :GLASS FILLED POLYESTER(UL94V-0).
- CONTACT MATERIAL :PHOSPHOR BRONZE φ0.46mm (C5100).
- PLATING :GOLD PLATING OVER NICKEL.
- SHIELD: COPPER ALLOY 0.20mm THICKNESS PLATING NI.

ELECTRICAL:

- VOLTAGE RATING :125 VAC RMS.
- CURRENT RATING :1.5 AMP.
- CONTACT RESISTANCE :50 MILLIOHMS MAX.
- INSULATION RESISTANCE :500 MEGOHMS MIN @ 500V DC.
- DIELECTRIC WITHSTANDING RESISTANCE :1000V AC RMS 50Hz. 1MIN.

MECHANICAL:

- DURRABILITY :750 CYCLES MIN.
- PCB RETENTION PRE-SOLDER :1 LB MIN.

ENVIRONMENTAL:

- STORAGE : -40°C TO +85°C.
- OPERATION : 0°C TO 70°C.

MATES WITH MODULAR PLUG CONFORMING TO FCC PART 68,SUBPART F.

PART NUMBER:

5601-3110840XXX

56 SERIES:
(Latch down Jack)

Product Style:
01-普通 H=13.10mm

Shield Style:

- 1-W/O Shield 2-Half Shield 半包
3-不屏蔽 4-无上屏蔽 5-左右屏蔽 6-上、左右屏蔽
7-上屏蔽,左右半包 8-上屏蔽,右半包

PIN STYPES :

- 1-屏蔽 2-不屏蔽

PORTS:

- 1-1X1 PORT 2-1X2 PORTS
4-1X4 PORTS 8-1X8 PORTS

Positions:

- 6-6P 8-8P 0-10P

Contacts:

- 4-4C 6-6C 8-8C 0-10C

PEG/TAB & BACK PEG (选做脚&后管脚)

- 0-W/O PEG 1-脚长3.56 无后管脚
2-脚长3.43 无后管脚 3-脚长3.56 有后管脚
4-脚长3.05

Gold plating u"

- 1-Fu" 2-2u" 3-3u" 4-6u"
5-15" 6-30u" 7-50u"

Logo&PcbType:

- 0-不喷
1-W/HXAN LOGO
2-W/HAXN&ULLOGO

Plastics Material&Color:

- 1-PBT+20%GF Black
2-PA46 Black

LED Style:

- 0-W/O LED
1-L Led:Green R Led:Yellow
2-L Led:Yellow R Led:Green
3-L Led:Green&Orange R Led:Yellow
4-L Led:Green&Red R Led:Yellow
5-L Led:Green&Yellow R Led:Yellow
6-L Led:Red R Led:Green

IF THE PRODUCT IS "GP"PART NUMBER THAT MUST BE MEET "GP" SPECIFICATION FROM HUA XIN CORP..

QC : Inspection Item	Cp/Cpk and SPC Control Item	DIMENSION IN mm [Inch]		HDC 有限公司	
		TOLERANCE UNLESS OTHERWISE SPECIFIED		专案号 FILE NO.	图号 DWC NO.
		.X±0.20	X.*±1°	5601-10P-002	
		.XX±0.15	.X.*±0.5°	名称 TITLE 56 1X1 10P8C JACK (脚长3.05)	
		.XXX±0.075			
核准 APPROVE	审核 CHECK	制图 DRAW	画法 PROJ.	图框 SHEET	更改 REV
	JDL	Oscar	比例 SCALE 1:1	图框 SIZE A3	更改 REV A