

NOTES:

MATERIAL:

- 1.HOUSING MATERIAL :GLASS FILLED POLYESTER(UL94V-0).
- 2.CONTACT MATERIAL :PHOSPHOR BRONZE #0.46mm (C5100).
- 3.PLATING :GOLD PLATING OVER NICKEL.
- 4.SHIELD,COPPER ALLOY 0.20mm THICKNESS PLATING NI.

ELECTRICAL:

- 1.VOLTAGE RATING :125 VAC RMS.
- 2.CURRENT RATING :1.5 AMP.
- 3.CONTACT RESISTANCE :50 MILLIOHMS MAX.
- 4.INSULATION RESISTANCE :500 MEGOHMS MIN @ 500V DC.
- 5.DIELECTRIC WITHSTANDING RESISTANCE :1000V AC RMS 50Hz. 1MIN.

MECHANICAL:

- 1.DURRABILITY :750 CYCLES MIN.
- 2.PCB RETENTION PRE-SOLDER :1 LB MIN.

ENVIRONMENTAL:

- 1.STORAGE :-40°C TO +85°C.
2. OPERATION : 0°C TO 70°C.

MATES WITH MODULAR PLUG CONFORMING TO FCC PART 68,SUBPART F.

PART NUMBER:

△ 52-0310810XX2X

52 SERIES

PCB JACK
(52系列PCB接口)

SHIELD (屏蔽壳):

- 1-W/O SHIELD(非屏)
 - 2-HALF SHIELD (半包)
 - 3-FULL SHIELD (全包)
- PORTS (插口):
- 1-1X1 (一口) . 2-1X2 (二口)
 - 4-1X4 (四口) . 5-1X5 (五口)
 - 6-1X6 (六口) . 8-1X8 (八口)

POSITIONS (金针位置):

- 4-4POSITIONS (4P)
 - 6-6POSITIONS (6P)
 - 8-8POSITIONS (8P)
 - 0-10POSITIONS (10P)
- CONTACTS (金针根数):
- 2-2CONTACTS (2C) . 4-4CONTACTS (4C)
 - 6-6CONTACTS (6C) . 8-8CONTACTS (8C)
 - 0-10CONTACTS (10C)

PEG/TAB (边定位铁脚):

- 0-W/O PEG (无铁脚) . 1-FRONT PEG 3.05 (前脚3.05)
- 2-FRONT PEG3.68 (前脚3.68) . 3-FRONT PEG4.57 (前脚4.57)
- 4-BACK PEG3.05 (后脚3.05)

GOLD PLATING

- (镀金厚度)
- 1-F U". 2-1.5U"
 - 3-3U". 4-6U"
 - 5-15U". 6-30U"
 - 7-50U"

LOGO (标识):

- 0-W/O LOGO (无标识)

COLOR (颜色): 1-BLACK (黑色).

- 2-WHITE (白色) . 3-GRAY (灰色) . 4-IVORY (象牙色)

- 5-YELLOE (黄色) . 6-RED (红色) .

- 7-GREEN (绿色) . 8-BLUE (蓝色)

PLASTIC (塑料):

- 1-PBT. 2-NYLON66 (尼龙66) .

- 3-NYLON46 (尼龙46) . 4-ABS

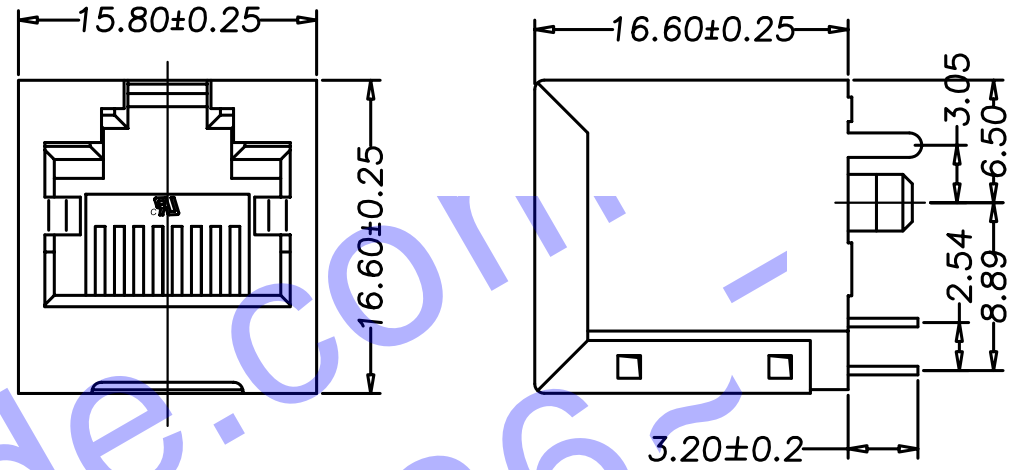
BACK PEG (后背铁脚):

- 0-W/O BACK PEG (无后背铁脚) .

- 1-1BACK PEG (1个后背铁脚)

- 2-2BACK PEG (2个后背铁脚) .

- 3-3BACK PEG (3个后背铁脚)



REVISION RECORD				
REV	ECO	DESCRIPTION	DRFT	CHKD
△		原始版本		

HDC 有限公司		系列		名称	
5224-8p8c-A		系列		52-002	
图号		A4		A	
比例: 1:1		不按比例		共 X 页 第 Y 页	