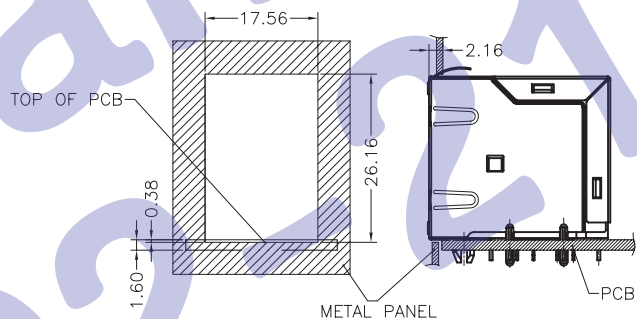


PC Board Layout



SUGGESTED PANEL CUTOUT DIM

NOTES:

MATERIAL:

1. HOUSING MATERIAL :GLASS FILLED POLYESTER(UL94V-0).
2. CONTACT MATERIAL :PHOSPHOR BRONZE T=0.35mm
3. PLATING :GOLD PLATING OVER NICKEL.
4. SHIELD: COPPER ALLOY 0.20mm THICKNESS PLATING NI.
5. LED: OPTION.

ELECTRICAL:

1. VOLTAGE RATING :125 VAC RMS.
2. CURRENT RATING :1.5 AMP.
3. CONTACT RESISTANCE :50 MILLIOHMS MAX.
4. INSULATION RESISTANCE :500 MEGOHMS MIN @ 500V DC.
5. DIELECTRIC WITHSTANDING RESISTANCE :1000V AC RMS 50Hz. 1MIN.
6. LED RATINGS: FORWARD VOLTAGE:2.2 VOLTS TYPICAL. REVERSE VOLTAGE:5 VOLTS MAXIMUM.

MECHANICAL:

1. DURRABILITY :750 CYCLES MIN.
2. PCB RETENTION PRE-SOLDER :1 LB MIN.

ENVIRONMENTAL:

1. STORAGE : -40°C TO +85°C.
2. OPERATION : -20°C TO 70°C.

MATES WITH MODULAR PLUG CONFORMING TO FCC PART 68, SUBPART F.

PART NUMBER:

2XND-0313212313X

2XND SERIES PCB JACK
(2XND 双层系列 PCB 接口)

SHIELD (屏蔽壳):

1-W/O SHIELD (非屏) . 3-FULL SHIELD (全包)

PORTS (插口):

1-2X1 (一口) . 2-2X2 (二口) . 4-2X4 (四口)

6-2X6 (六口) . 8-2X8 (八口)

EMI (弹片):

1-W/O EMI (无弹片)

2-W/ POSITIVE EMI (带正向弹片)

3-W/ REVERSE EMI (带反向弹片)

LED STYLE (LED 颜色类型):

1-L LED: GREEN, R LED: YELLOW (左绿右黄);

2-L LED: YELLOW, R LED: GREEN (左黄右绿)

3-L LED: GREEN, R LED: GREEN (双绿);

4-L LED: RED, R LED: GREEN (左红右绿)

5-L LED: YELLOW, R LED: YELLOW (双黄);

6-L LED: GREEN, R LED: RED (左绿右红)

7-L LED: GREEN/ORANGE, R LED: GREEN/ORANGE (左右绿橙双色)

8-L LED: GREEN/YELLOW, R LED: GREEN/YELLOW (左右绿黄双色)

9-L LED: GREEN/YELLOW, R LED: GREEN (左绿黄双色右绿)

REVISION RECORD				
REV	ECO	DESCRIPTION	DRFT	CHKD
A		更改弹片式样	JDL	Oscar

GOLD PLATING (镀金厚度):
1-F 0", 2-1.50", 3-3U", 4-6U",
5-15U", 6-30U", 7-50U"

LOGO (标识):

0-W/O LOGO (无标识).

1-W/ HAXN (有 HAXN 标识)

2-W/ UL (有 UL 标识).

3-W/ HAXN. UL (有 HAXN. UL)

COLOR (颜色): 1-BLACK (黑色).

PLASTIC (塑料):

1-PBT. 2-NYLON66 (尼龙66) . 3-NYLON46 (尼龙46)

PIN STYLE (针类型):

1-ROUND PIN (圆针) . 2-FLAT PIN (扁针)

LED Leg Polarity (LED 引脚极性):

0-不定义

1-10, 12 pin 正 9, 11 pin 负

2-10, 12 pin 负 9, 11 pin 正

MM (INCH)		设计 peilei	日期 09.07.17
一般公差栏		审核 GANBO	日期 09.07.17
MM	±	批准	日期
.0 ±0.20	±	材料:	
.00 ±0.15	±	数量:	
.000 ±0.075	±	表面处理:	
角度 ± 0.01°		比例: 1:1	
第三角视图			

HDC 有限公司

系列 2XN(规格)

名称 2XND03-2X1 TP

图号: ED-HX-2XND-001

料号: 请查看注释

A3 A

不按比例

共 X 页 第 Y 页