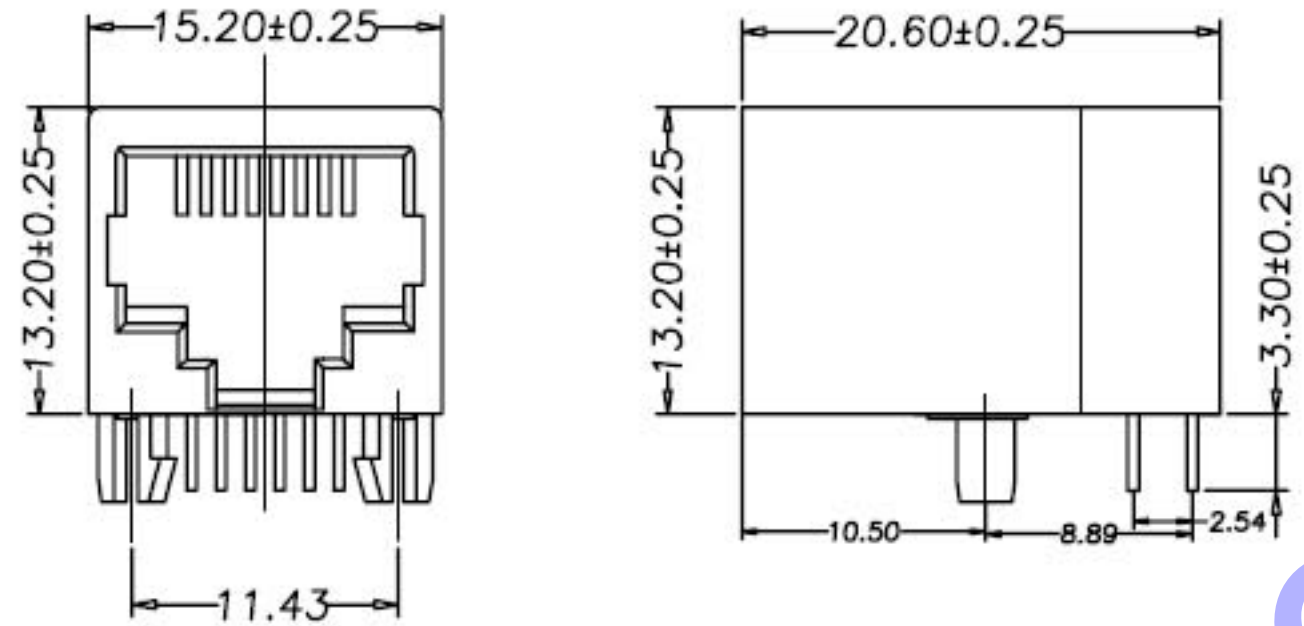


更改 REV	变更内容 MODIFICATION	日期 DATE	制图 DRAW	审核 APPROVE
A	图纸发行	2012/10/29	JDL	Oscar



NOTES:

ELECTRICAL:

- VOLTAGE RATING : 125 VAC RMS.
- CURRENT RATING : 1.5 AMP.
- CONTACT RESISTANCE : 50 MILLIOHMS MAX.
- INSULATION RESISTANCE: 500 MEGOHMS MIN @ 500 VDC.
- DIELECTRIC STRENGTH : 1000 VAC RMS 50Hz, 1MIN.

MECHANICAL:

- HOUSING MATERIAL : NYLON+30%.G.F UL94V-0.
- CONTACT MATERIAL : PHOSPHOR BRONZE ϕ 0.46mm.
- PLATING : GOLD PLATING OVER NICKEL.
- SHIELD: COPPER ALLOY(OR STEEL ALLOY) 0.20mm THICKNESS PLATING NI.
- LED:OPTION
- OPERATING LIFE : 750 CYCLES MIN.
- PCB RETENTION PRE-SOLDER : 1 LB MIN.
- PCB RETENTION POST-SOLDER: 10 LBS MIN.

ENVIRONMENTAL:

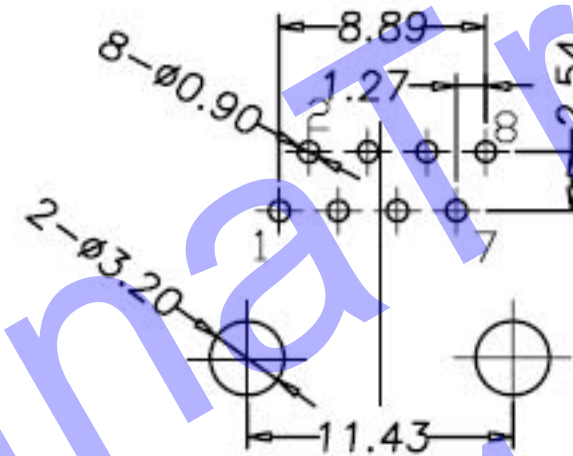
- STORAGE : -40°C TO +85°C.
- OPERATION: 0°C TO +70°C.
- WAVE SOLDERING TEMPERATURE: 255°~265° (5~10SECONDS).
- ROHS COMPLIANT

MATES WITH MODULAR PLUG CONFORMING TO FCC PART 68, SUBPART F.

PART NUMBER: 59A-N1108A-XX

GOLD PLATING U"
1-Fu" 2-2u" 3-3u" 4-5u"

PLASTIC MATERIAL&COLOR:Black/Yellow/Gray
1-PBT+20%GF Black
2-PA46 Black



PC Board Layout

QC : Inspection Item	Cpk/Cpk and SPC Control Item	DIMENSION IN mm [Inch]	HDC 有限公司	
		TOLERANCE UNLESS OTHERWISE SPECIFIED	文件号 FILE NO.	图号 DWG NO. N1108A
		.X± 0.20 X.*± 1"	名称 TITLE 59A 1X1 8P8C PCB JACK W/O SHIELD SIDE ENTRY,ROUND PIN	
		.XX± 0.15 .X.*± 0.5"		
		.XXX± 0.075	制图 DRAW Oscar	审核 CHECK
		批准 APPROVE	比例 SCALE 1:1	页次 SHEET 1 / 1
			图幅 SIZE A3	更改 REV A