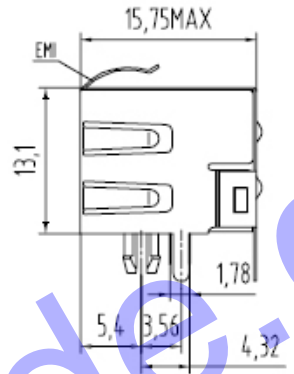
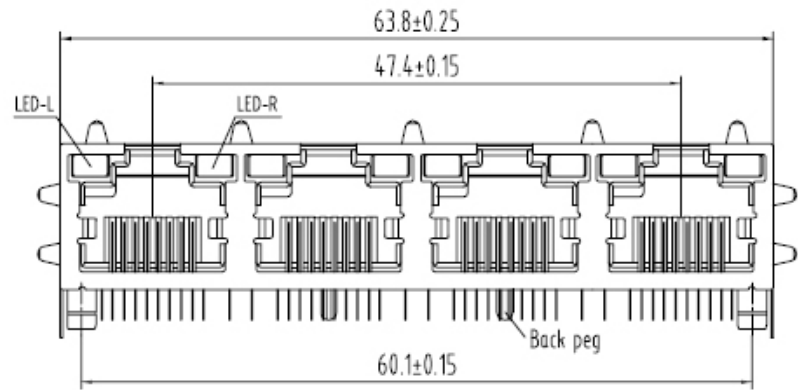
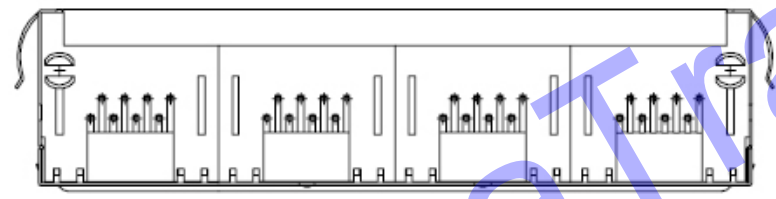


更改 REV	设计内容 MODIFICATION	日期 DATE	制图 DRAW	核准 APPROVE
A	图面发行	2012/10/29	JDL	Oscar

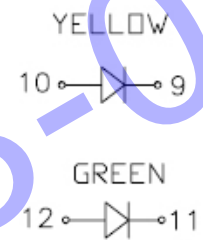


NOTES:

- MATERIAL:**
- HOUSING MATERIAL :GLASS FILLED POLYESTER(UL94V-0).
 - CONTACT MATERIAL :PHOSPHOR BRONZE Ø0.46mm (C5100).
 - PLATING :GOLD PLATING OVER NICKEL.
 - SHIELD COPPER ALLOY(OR STEEL ALLOY) 0.20mm THICKNESS PLATING NI.
 - LED OPTION.
- ELECTRICAL:**
- VOLTAGE RATING :125 VAC RMS.
 - CURRENT RATING :1.5 AMP.
 - CONTACT RESISTANCE :50 MILLIOHMS MAX.
 - INSULATION RESISTANCE :500 MEGOHMS MIN @ 500V DC.
 - DIELECTRIC WITHSTANDING RESISTANCE :1000V AC RMS 50Hz 1MIN.
 - LED RATINGS:FORWARD VOLTAGE:2.2 VOLTS TYPICAL.
REVERSE VOLTAGE:5 VOLTS MAXIMUM.
- MECHANICAL:**
- DURRABILITY:750 CYCLES MIN.
 - PCB RETENTION PRE-SOLDER
- ENVIRONMENTAL:**
- STORAGE : -40°C TO +85°C.
 - OPERATION: -20°C TO 70°C.
- MATES WITH MODULAR PLUG CONFORMING TO FCC PART 68,SUBPART F.



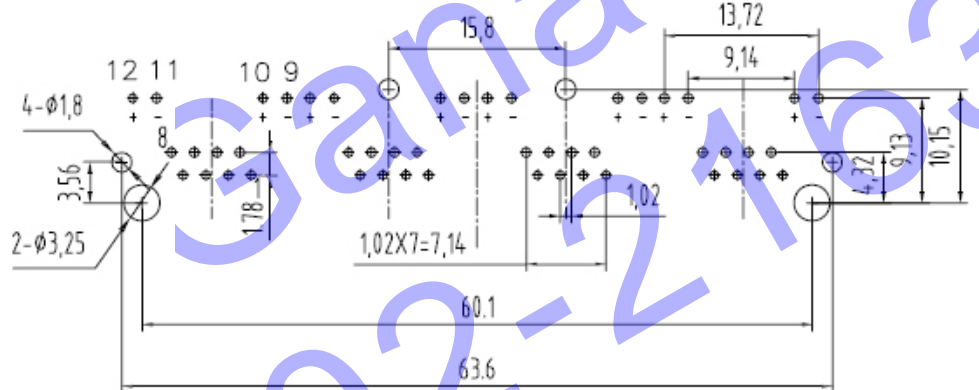
PART NUMBER: 56A-S1488L2-E2XX



单色灯脚位图

GOLD PLATING U"
1-Fu 2-2u 3-3u 4-6u"

PLASTIC MATERIAL&COLOR:Black/Yellow/Gray
1-PBT+20%GF Black
2-PA46 Black



PC Board Layout
Component Side Shown

QC : Inspection Item	Cp/Cpk and SPC Control Item	DIMENSION IN mm [Inch]		HDC 有限公司	
		TOLERANCE UNLESS OTHERWISE SPECIFIED		文件号 FILE NO.	图号 DWG NO. YL56A-S1488L2-E2
		.X± 0.20	X.*± 1"	名称 TITLE	
		.XX± 0.15	.X.*± 0.5"	56A 1X4 8PBC LED PCB JACK&SHIELDED WITH EMI FINGER SIDE ENTRY,TAB-UP,ROUND PIN	
.XXX± 0.075		核准 APPROVE	审核 CHECK	制图 DRAW	核准 PROJ.
		Oscar		比例 SCALE	1:1
				图幅 SIZE	A3
				张数 SHEET	1 / 1
				更改 REV	A