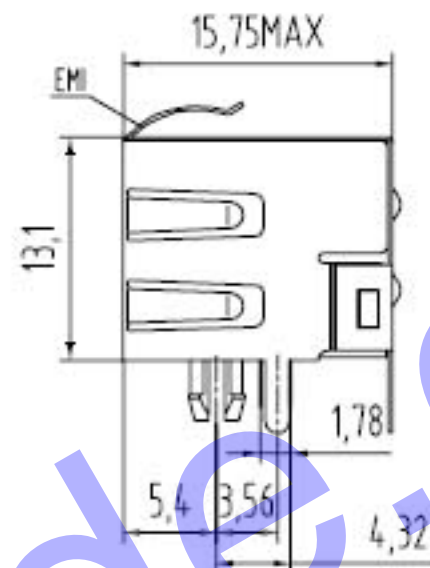
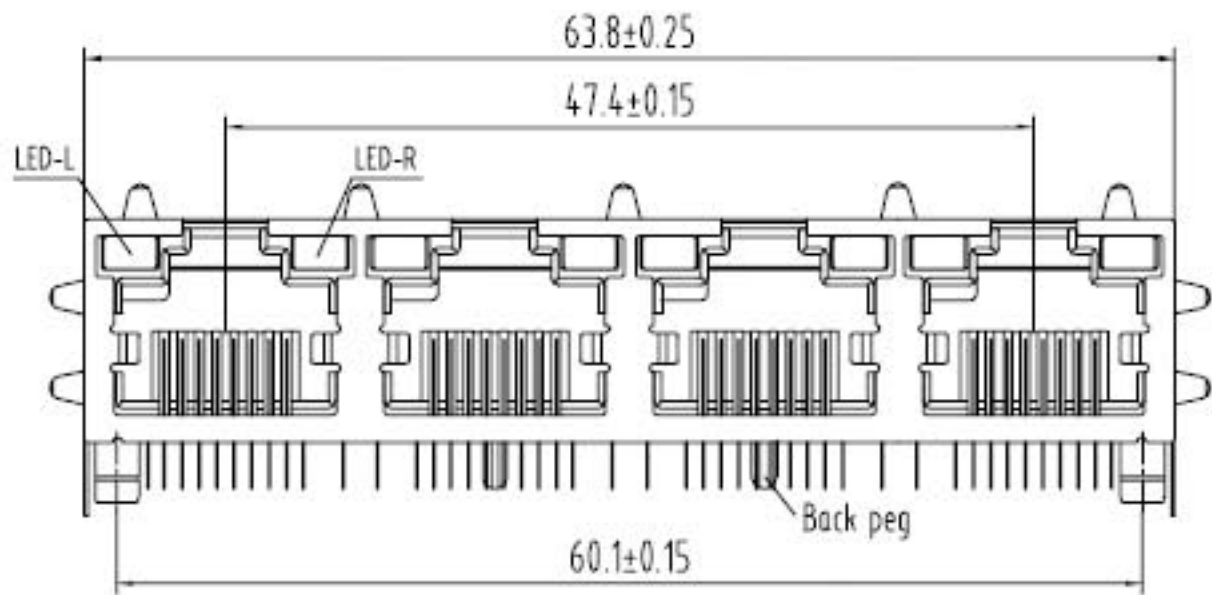


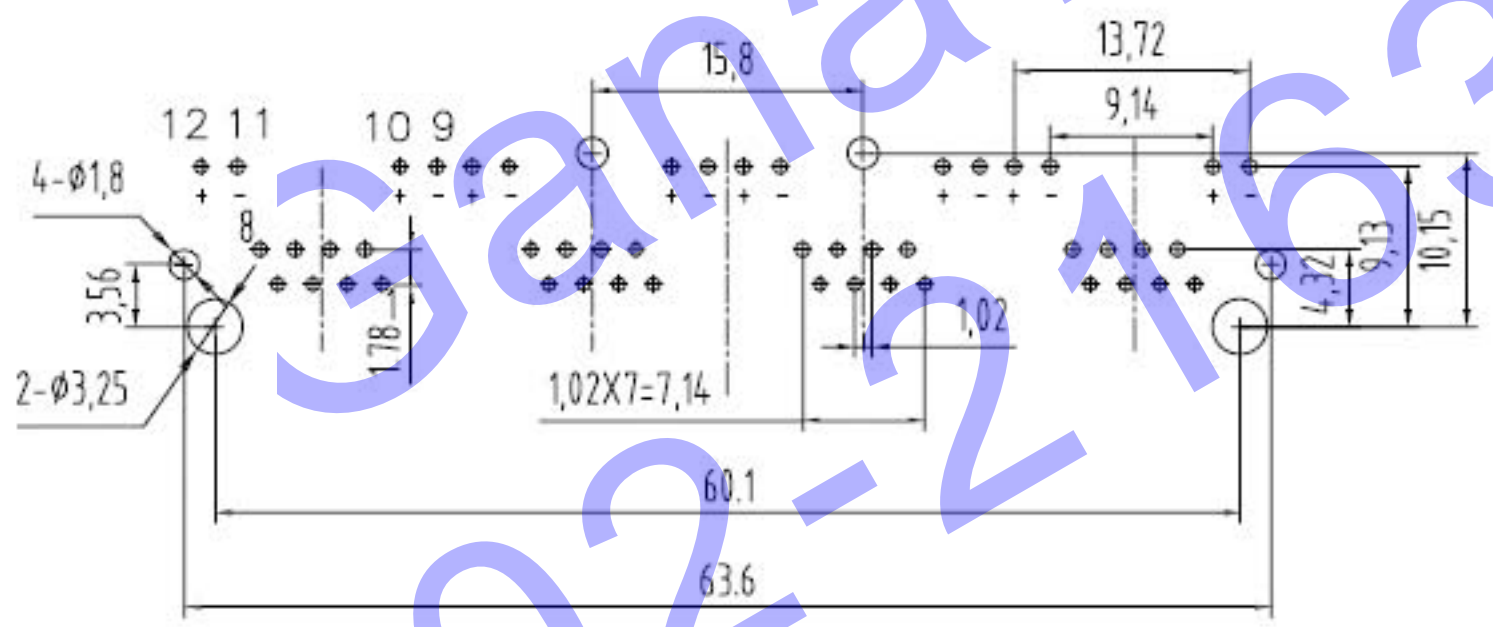
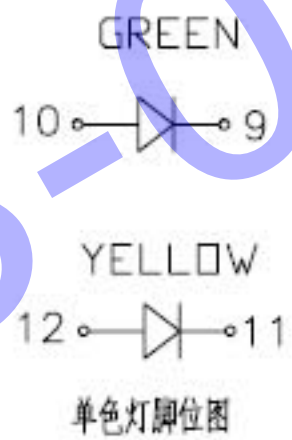
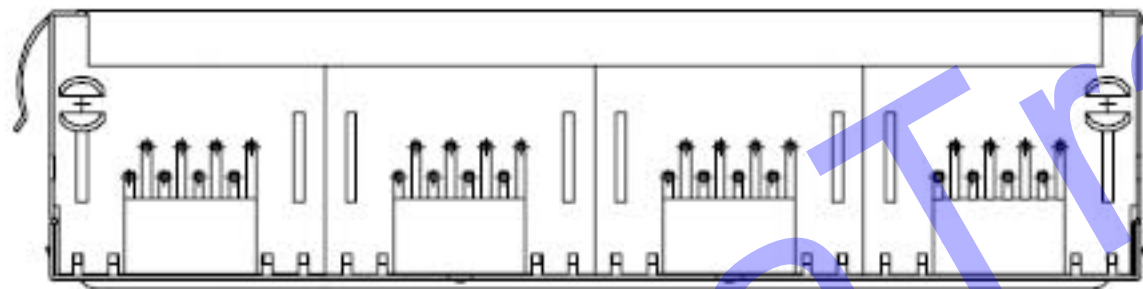
1 2 3 4 5 6 7 8

更改 REV	变更内容 MODIFICATION	日期 DATE	制图 DRAW	审核 APPROVE
A	图纸发行	2012/10/29	JDL	Oscar



NOTES:

- MATERIAL:**
- HOUSING MATERIAL :GLASS FILLED POLYESTER(UL94V-0).
 - CONTACT MATERIAL :PHOSPHOR BRONZE $\phi 0.46\text{mm}$ (C5100).
 - PLATING :GOLD PLATING OVER NICKEL.
 - SHIELD COPPER ALLOY(OR STEEL ALLOY) 0.20mm THICKNESS PLATING NI.
 - LED OPTION.
- ELECTRICAL:**
- VOLTAGE RATING :125 VAC RMS.
 - CURRENT RATING :1.5 AMP.
 - CONTACT RESISTANCE :50 MILLIOHMS MAX.
 - INSULATION RESISTANCE :500 MEGOHMS MIN @ 500V DC.
 - DIELECTRIC WITHSTANDING RESISTANCE :1000V AC RMS 50Hz. 1MIN.
 - LED RATINGS:FORWARD VOLTAGE:2.2 VOLTS TYPICAL. REVERSE VOLTAGE:5 VOLTS MAXIMUM.
- MECHANICAL:**
- DURRABILITY:750 CYCLES MIN.
 - PCB RETENTION PRE-SOLDER
- ENVIRONMENTAL:**
- STORAGE : -40°C TO +85°C.
 - OPERATION: -20°C TO 70°C.
- MATES WITH MODULAR PLUG CONFORMING TO FCC PART 68,SUBPART F.



PC Board Layout
Component Side Shown

QC : Inspection Item	Cp/Cpk and SPC Control Item	DIMENSION IN mm [Inch]		HDC 有限公司	
		TOLERANCE UNLESS OTHERWISE SPECIFIED		文件号 FILE NO.	图号 DWG NO.
		.X ± 0.20	X.* ± 1"	标题 TITLE	
		.XX ± 0.15	.X.* ± 0.5"	56A 1X4 8PBC LED PCB JACK&SHIELDED WITH EMI FINGER SIDE ENTRY,TAB-UP,ROUND PIN	
		.XXX ± 0.075		制图 DRAW	审核 CHECK
		批准 APPROVE	检查 CHECK	Oscar	1 / 1
				比例 SCALE	1:1
				图幅 SIZE	A3
				更改 REV	A

1 2 3 4 5 6 7 8