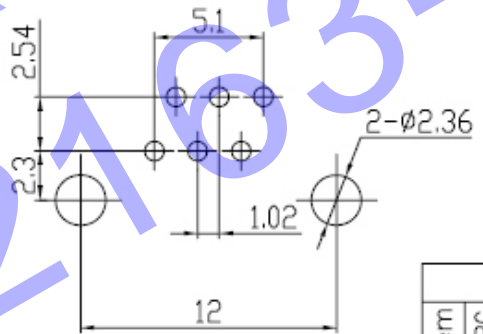
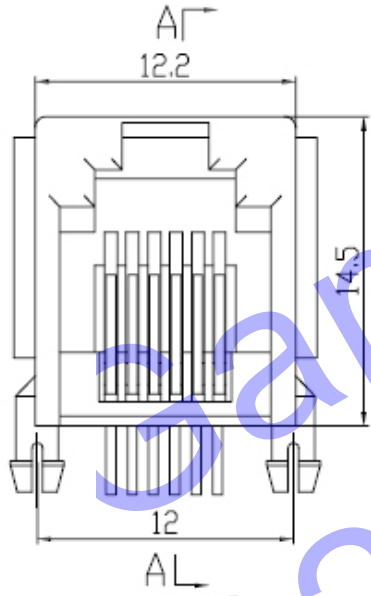
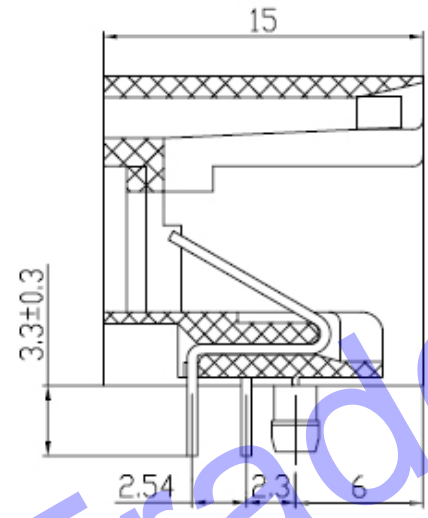
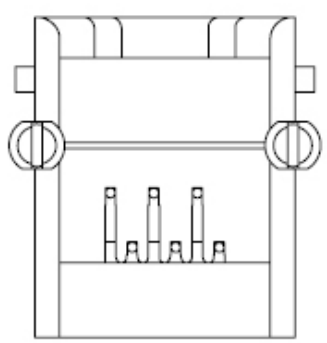


更改 REV	变更内容 MODIFICATION	日期 DATE	制图 DRAW	审核 APPROVE
A	初版发布	2012/10/29	JDL	Oscar



NOTES:

- MATERIAL:
- HOUSING MATERIAL: GLASS FILLED POLYESTER (UL94V-0).
  - CONTACT MATERIAL: PHOSPHOR BRONZE #0.46mm (C5100).
  - PLATING: GOLD PLATING OVER NICKEL.
- ELECTRICAL:
- VOLTAGE RATING: 125 VAC RMS.
  - CURRENT RATING: 1.5 AMP.
  - CONTACT RESISTANCE: 50 MILLIOHMS MAX.
  - INSULATION RESISTANCE: 500 MEGOHMS MIN @ 500V DC.
  - DIELECTRIC WITHSTANDING RESISTANCE: 1000V AC RMS 50Hz, 1MIN.
- MECHANICAL:
- DURABILITY: 750 CYCLES MIN.
  - PCB RETENTION PRE-SOLDER: 1 LB MIN.
- ENVIRONMENTAL:
- STORAGE: -40°C TO +85°C.
  - OPERATION: 0°C TO 70°C.
- MATES WITH MODULAR PLUG CONFORMING TO FCC PART 68, SUBPART F.

PART NUMBER: 5523-N1166-PXX

- GOLD PLATING U"  
1-Fu 2-2u 3-3u 4-6u
- PLASTIC MATERIAL & COLOR: Black/Yellow/Gray  
1-PBT+20%GF Black  
2-PBT+20%GF Gray

PCB LAYOUT  
TOLERANCES: ±0.05



QC : Inspection Item		DIMENSION IN mm [Inch]		H D C 有限公司	
Cp/Cpk and SPC Control Item	TOLERANCE UNLESS OTHERWISE SPECIFIED	专业号 FILE NO.	图号 DWG NO.	YL5523-N1166-P	
	.X±0.20	X.*±1"	名称 TITLE		
	.XX±0.15	.X.*±0.5"	5523 1X1 6P6C PCB JACK WITH PANEL UNSHIELDED SIDE ENTRY, TAB-UP, ROUND PIN		
	.XXX±0.075		制图 DRAW		
APPROVE	CHECK	Oscar	审核 PROJ	数量 SHEET	1 / 1
		比例 SCALE	图幅 SIZE	更改 REV	A
		1:1	A3		