

更改 REV	更改内容 MODIFICATION	日期 DATE	绘图 DRAW	审核 APPROVE
A	初次发行	2012/10/29	JDL	Oscar

NOTES:

ELECTRICAL:

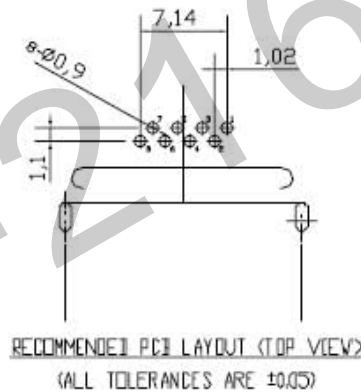
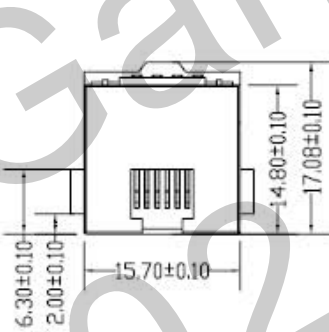
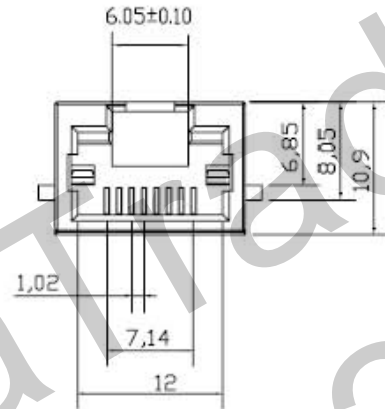
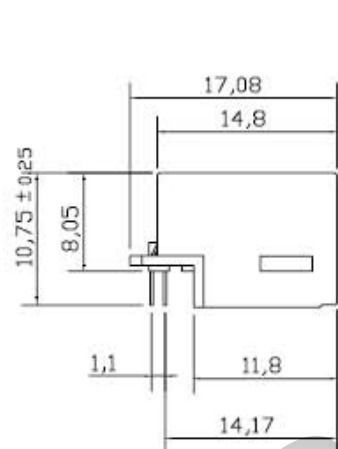
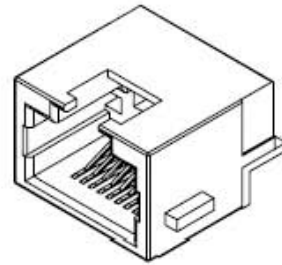
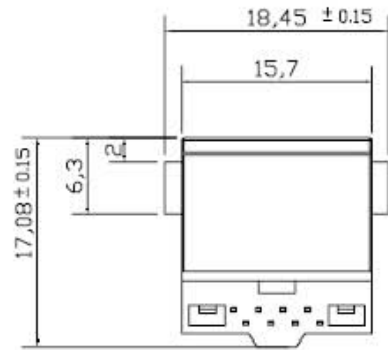
- VOLTAGE RATING : 125 VAC RMS.
- CURRENT RATING : 1.5 AMP.
- CONTACT RESISTANCE : 50 MILLIOHMS MAX.
- INSULATION RESISTANCE: 500 MEGOHMS MIN @ 500 VDC.
- DIELECTRIC STRENGTH : 500 VAC RMS 50Hz, 1MIN.

MECHANICAL:

- HOUSING MATERIAL : NYLON(PA46)+30%G.F UL94V-0.
- CONTACT MATERIAL : PHOSPHOR BRONZE T=0.35mm (C5210)
- PLATING : GOLD-PLATED IN THE CONTACT AREA
- SHIELD: COPPER ALLOY(OR STEEL ALLOY) 0.20mm THICKNESS
- OPERATING LIFE : 750 CYCLES MIN.
- PCB RETENTION PRE-SOLDER : 1 LB MIN.
- PCB RETENTION POST-SOLDER: 10 LBS MIN.

ENVIRONMENTAL:

- STORAGE : -40°C TO +85°C.
 - OPERATION: 0°C TO +70°C.
 - IR REFLOW PEAK SOLDERING TEMPERATURE:255°C~265°C 5~10 SECONDS.
 - ROHS COMPLIANT
- FCC PART 68, SUBPART F.
MATES WITH MODULAR PLUG CONFORMING TO



QC : Inspection Item (CPK) : Cp/Cpk and SPC Control Item	DIMENSION IN mm [Inch]		HDC 有限公司	
	TOLERANCE UNLESS OTHERWISE SPECIFIED		全图号 FILE NO.	图号 DWG NO.
	.X ± 0.20	X.* ± 1"	GRJJ-H7162	
	.XX ± 0.15	.X.* ± 0.5"	名称 TITLE	
.XXX ± 0.075		DIP 1X1 8P/BC Embedded PCB JACK UNSHIELDED H=8.05MM ,SIDE ENTRY,FLAT PIN		
审核 APPROVE	审核 CHECK	制图 DRAW	检验 PROJ	数量 SHEET
		Oscar	比例 SCALE	1 / 1
			1:1	图幅 SIZE
			A3	更改 REV
				A