

**ELECTRICAL SPECIFICATIONS @ 25°C±5°C unless otherwise noted:**

**Insertion Loss:** 1-100MHZ -1.0dB MAX

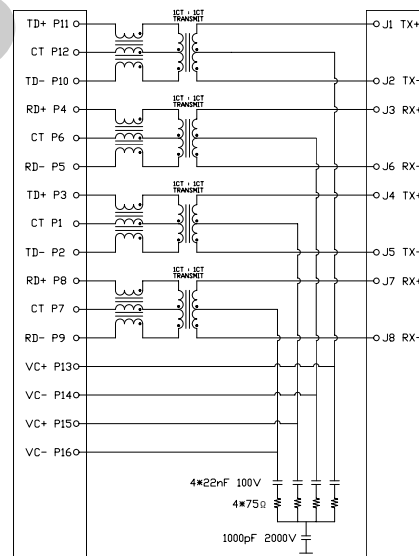
**Return Loss:** 1-30MHZ -16.0dB MIN  
 30-60MHZ -14.0dB MIN  
 60-80MHZ -10.0dB MIN

**Cross Talk:** 1-30MHZ -40.0dB MIN  
 30-60MHZ -35.0dB MIN  
 60-80MHZ -30.0dB MIN

**CMR:** 1-100MHZ -35.0dB MIN

**Hi-Pot:** 1500v AC 6S 1mA

**OCL:** 350uH MIN @ 100KHZ 100mV 8mA DC



**Contacts:** 0.35mm thick phos bronze plated with 6u' gold in contact area

**Turn Ratio:** 1CT:1CT±3%

**Operating temperature range:** 0°C to +70°C

**Housing Material:** PBT Black

HDC 有限公司

UNIT: mm  
 .xx +/-0.25 .xxx +/-0.13

Approved By : Herman Au

1000BASE  
 1X1Tab-Up RJ45

P/N: GRJJ-H7179

REV.  
 A

Drafted by CZ Lin

Sheet 1 of 1