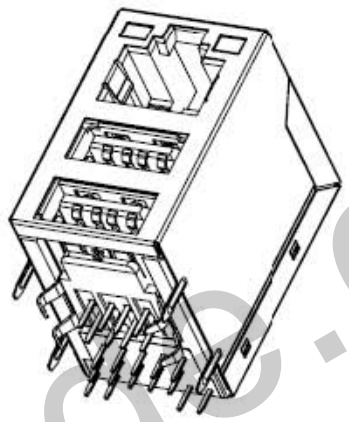
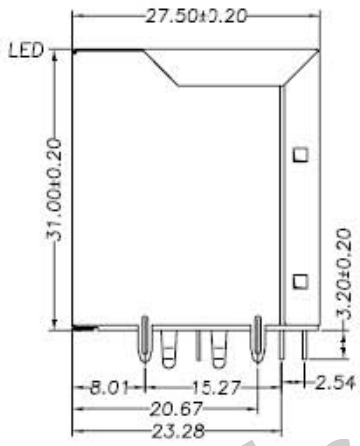
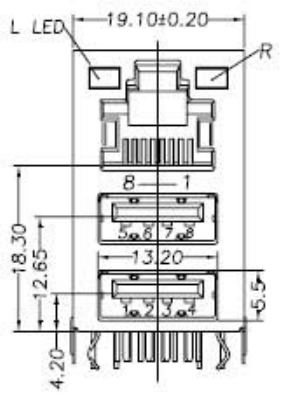


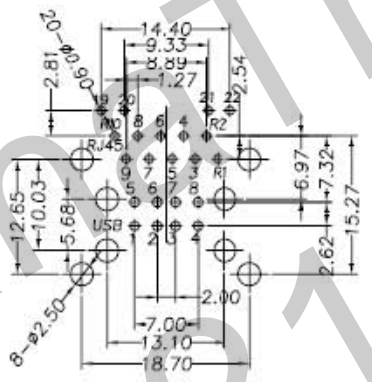
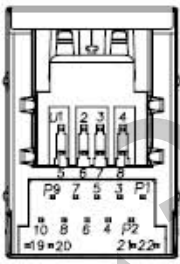
1 Port RJ-45 Jack With 10/100 Base-T Magnetics Module

ROHS

更改 REV	设计内容 MODIFICATION	日期 DATE	制图 DRAW	审核 APPROVE
A	图面发行	2012/10/29	JDL	Oscar



NOTES:
MATERIAL:
 1. HOUSING MATERIAL: GLASS FILLED POLYESTER(UL94V-0).
 2. CONTACT MATERIAL: PHOSPHOR BRONZE T=0.35mm
 3. PLATING: GOLD PLATING OVER NICKEL.
 4. SHIELD: COPPER ALLOY 0.20mm THICKNESS PLATING Ni.
 5. LED OPTION.
ELECTRICAL:
 1. VOLTAGE RATING :125 VAC RMS.
 2. CURRENT RATING :1.5 AMP.
 3. CONTACT RESISTANCE :50 MILLIOHMS MAX.
 4. INSULATION RESISTANCE :500 MEGOHMS MIN @ 500V DC.
 5. DIELECTRIC WITHSTANDING RESISTANCE :1000V AC RMS 50Hz 1MIN.
 6. LED RATINGS: FORWARD VOLTAGE:2.2 VOLTS TYPICAL. REVERSE VOLTAGE:5 VOLTS MAXIMUM.
MECHANICAL:
 1. DURABILITY :750 CYCLES MIN.
 2. PCB RETENTION PRE-SOLDER :1 LB MIN.
ENVIRONMENTAL:
 1. STORAGE :-20°C TO +85°C.
 2. OPERATION : 0°C TO 70°C.
 MATES WITH MODULAR PLUG CONFORMING TO FCC PART 68,SUBPART F.



PC Board Layout



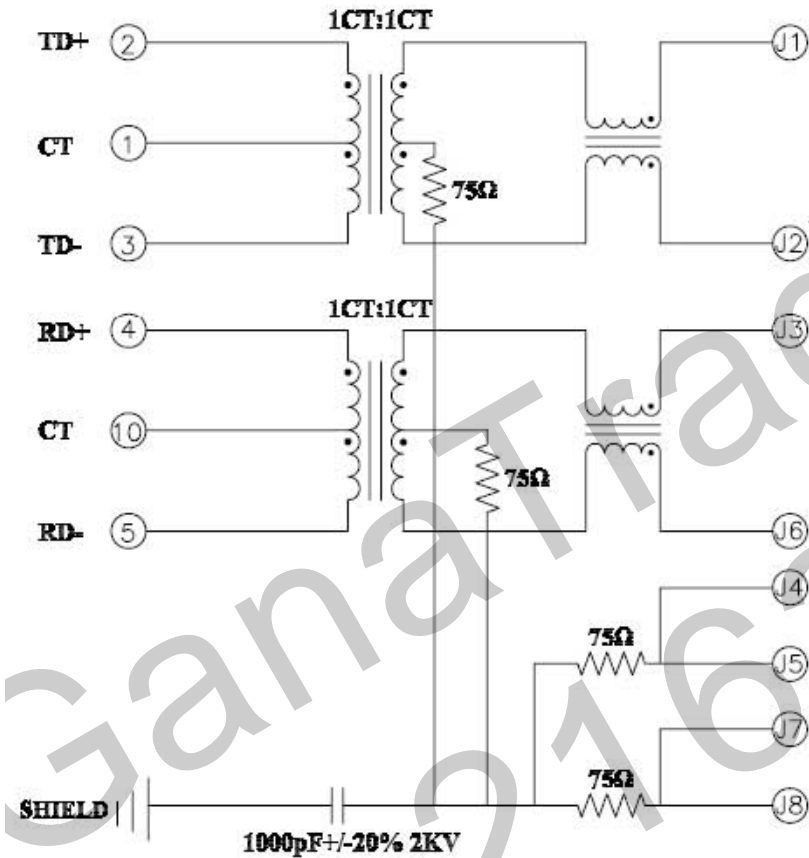
QC : Inspection Item CPK : Cp/Cpk and SPC Control Item	DIMENSION IN mm [Inch]		HDC 有限公司	
	TOLERANCE UNLESS OTHERWISE SPECIFIED		图号 FILE NO.	图号 DWG NO. GRJJ-H7185
	.X± 0.20	X.*± 1*	名称 TITLE 10/100Base-T Magnetics Module RJ45+TWD-DOUBLE USB, WIHT LED PCB JACK & SHIELDED, SIDE ENTRY,Flat PIN	
	.XX± 0.15	.X*± 0.5*	制图 DRAW Oscar	
.XXX± 0.075		审核 CHECK	比例 SCALE 1:1	图幅 SIZE A3
			张数 SHEET 1	更改 REV A

更改 REV	变更内容 MODIFICATION	日期 DATE	制图 DRAW	审核 APPROVE
A	图纸发行	2012/10/29	JDL	Oscar

ELECTRICAL SPECIFICATIONS @ 25°C+/-5°C unless otherwise noted:

Schematics:

A TYPE



Insertion Loss: 1-100MHZ -1.0dB MAX

Return Loss: 1-30MHZ -16.0dB MIN
30-60MHZ -14.0dB MIN
60-80MHZ -10.0dB MIN

Cross Talk: 1-30MHZ -40.0dB MIN
30-60MHZ -35.0dB MIN
60-80MHZ -30.0dB MIN

CMR: 1-100MHZ -35.0dB MIN

HI-Pot: 1500v AC 6S 1mA

OCL:350uH MIN @ 100KHZ 100mV 8mA DC

Contacts: 0.35mm thick phos bronze plated with 6u' gold in contact area

Turn Ratio: 1CT:1CT+/-3%

QC : inspection item Cp/Cpk and SPC Control item	DIMENSION IN mm [Inch]		HDC 有限公司	
	TOLERANCE UNLESS OTHERWISE SPECIFIED		文件号 FILE NO.	图号 DWG NO.
	.X± 0.20	X.* ± 1"	GRJJ-H7185	
	.XX± 0.15	.X* ± 0.5"	名称 TITLE	
	.XXX± 0.075		10/100Base-T Magnetics Module RJ45+TWD-DOUBLE USB, WIHT LED PCB JACK & SHIELDED, SIDE ENTRY,Flat PIN	
核准 APPROVE	审核 CHECK	制图 DRAW	审核 PROJ.	数量 SHEET
		Oscar	比例 SCALE	1 / 1
			1:1	图框 SIZE
			A3	更改 REV
				A