

更改 REV	变更内容 MODIFICATION	日期 DATE	制图 DRAW	审核 APPROVE
A	前期发行	2012/10/29	JDL	Oscar

NOTES:

ELECTRICAL:

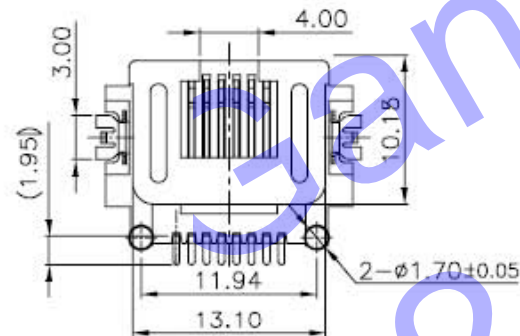
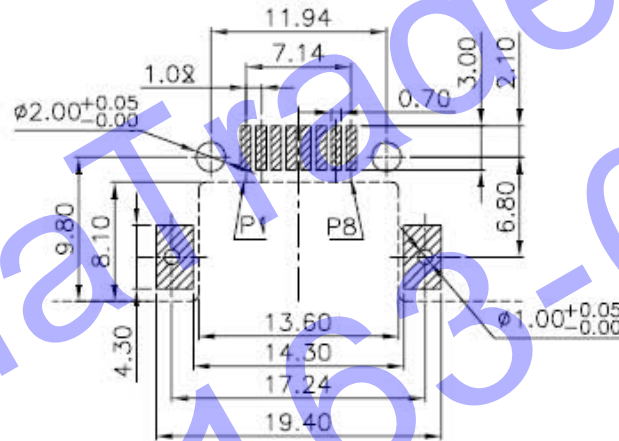
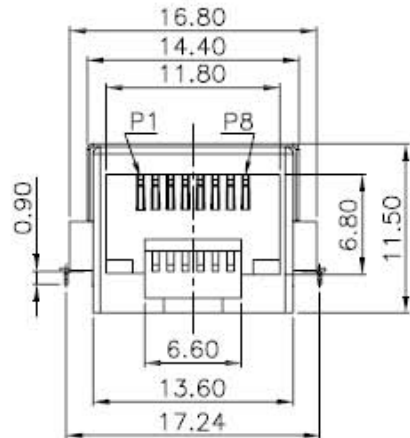
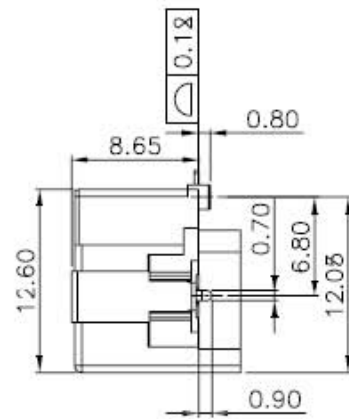
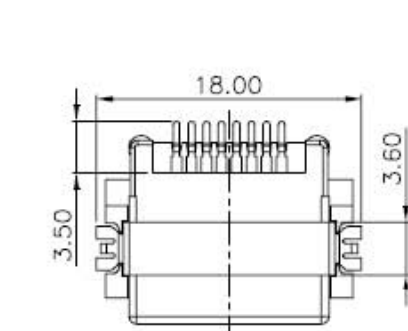
- VOLTAGE RATING : 125 VAC RMS.
- CURRENT RATING : 1.5 AMP.
- CONTACT RESISTANCE : 50 MILLIOHMS MAX.
- INSULATION RESISTANCE: 500 MEGOHMS MIN @ 500 VDC.
- DIELECTRIC STRENGTH : 500 VAC RMS 50Hz, 1MIN.

MECHANICAL:

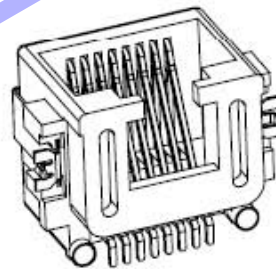
- HOUSING MATERIAL : NYLON(PA46)+30%G.F UL94V-0.
- CONTACT MATERIAL : PHOSPHOR BRONZE T=0.35mm (C5210)
- PLATING : GOLD-PLATED IN THE CONTACT AREA
- SHIELD: COPPER ALLOY(OR STEEL ALLOY) 0.20mm THICKNESS
- OPERATING LIFE : 750 CYCLES MIN.
- PCB RETENTION PRE-SOLDER : 1 LB MIN.
- PCB RETENTION POST-SOLDER: 10 LBS MIN.

ENVIRONMENTAL:

- STORAGE : -40°C TO +85°C.
- OPERATION: 0°C TO +70°C.
- IR REFLOW PEAK SOLDERING TEMPERATURE: 255°C~265°C 5~10 SECONDS.
- ROHS COMPLIANT
- FCC PART 68, SUBPART F.
- MATES WITH MODULAR PLUG CONFORMING TO



RECOMMENDED PCB LAYOUT
GENERAL TOLERANCE ±0.05



QC : Inspection Item		DIMENSION IN mm [Inch]		HDC 有限公司	
Cp/Cpk and SPC Control Item	Cpk	TOLERANCE UNLESS OTHERWISE SPECIFIED		文件号 FILE NO.	图号 DWG NO.
		.X± 0.20	.X*± 1"	GRJJ-H7187	
		.XX± 0.15	.X*± 0.5"	名称 TITLE	
		.XXX± 0.075		SMT 1X1 BPBC Embedded PCB JACK WITH HALF SHIELDED H=8.65MM ,SIDE ENTRY,FLAT PIN	
核准 APPROVE	审核 CHECK	制图 DRAW	检验 PROL	数量 SHEET	页次 REV
		Oscar	比例 SCALE	1:1	图幅 SIZE
				A3	1 / 1
					A