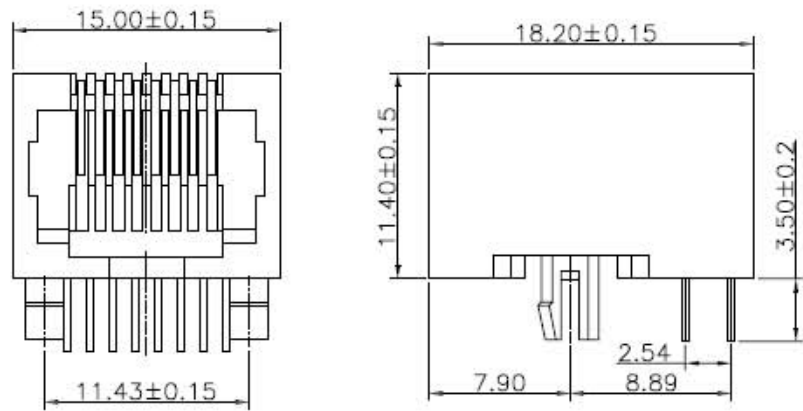


更改 REV	更改内容 MODIFICATION	日期 DATE	制图 DRAW	审核 APPROVE
A	首次发行	2012/10/29	JDL	Oscar



NOTES:

MATERIAL:

- 1.HOUSING MATERIAL :GLASS FILLED POLYESTER(UL94V-0).
- 2.CONTACT MATERIAL :PHOSPHOR BRONZE @0.46mm (C5100).
- 3.PLATING :GOLD PLATING OVER NICKEL.

ELECTRICAL:

- 1.VOLTAGE RATING :125 VAC RMS.
- 2.CURRENT RATING :1.5 AMP.
- 3.CONTACT RESISTANCE :50 MILLIOHMS MAX.
- 4.INSULATION RESISTANCE :500 MEGOHMS MIN @ 500V DC.
- 5.DIELECTRIC WITHSTANDING RESISTANCE :1000V AC RMS 50Hz. 1MIN.

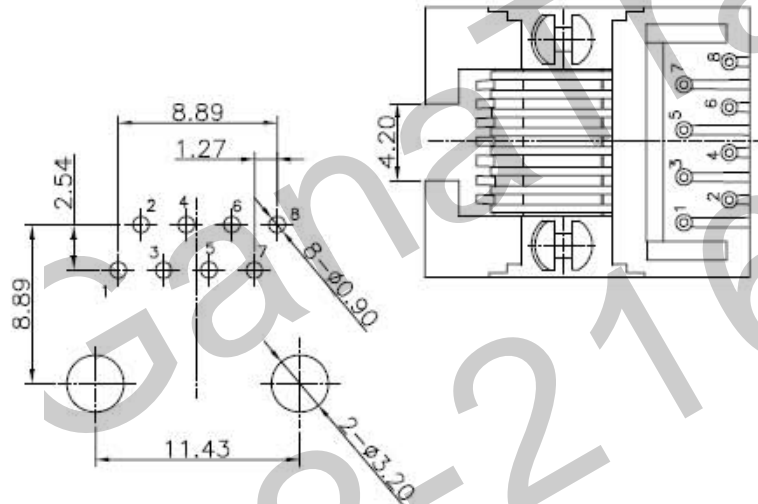
MECHANICAL:

- 1.DURRABILITY :750 CYCLES MIN.
- 2.PCB RETENTION PRE-SOLDER :1 LB MIN.

ENVIRONMENTAL:

- 1.STORAGE : -40°C TO +85°C.
2. OPERATION : 0°C TO 70°C.

MATES WITH MODULAR PLUG CONFORMING TO FCC PART 68,SUBPART F.



PC Board Layout

QC : Inspection Item Cpk/Cpk and SPC Control Item	DIMENSION IN mm [Inch]		HDC 有限公司	
	TOLERANCE UNLESS OTHERWISE SPECIFIED		图号 FILE NO.	图号 DWG NO. GRJJ-H7190
	.X± 0.20	.X"± 1"	名称 TITLE 53A 1X1 8PBC PCB JACK W/D SHIELD Very Low-Profile,SIDE ENTRY,ROUND PIN	
	.XX± 0.15	.X"± 0.5"		
.XXX± 0.075		制图 DRAW Oscar	审核 PROJ. SCALE 1:1	数量 SHEET 1 / 1
核准 APPROVE	检查 CHECK	比例 SCALE 1:1	图幅 SIZE A3	更改 REV A