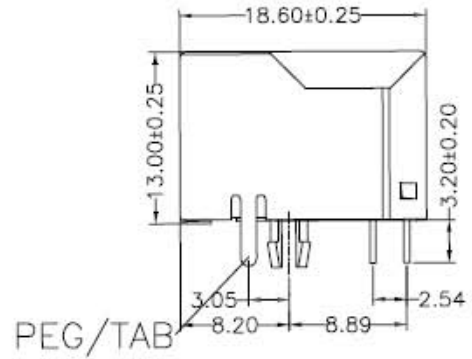
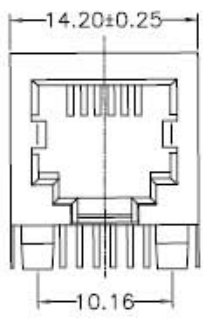
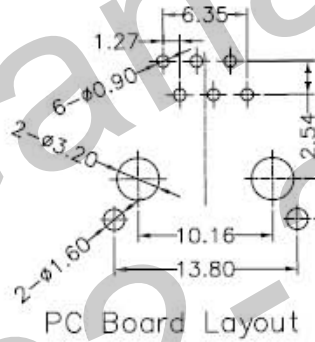
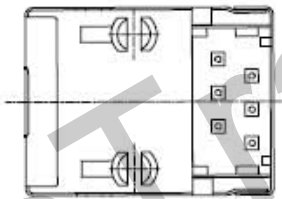


1 2 3 4 5 6 7 8

更改 REV	设计内容 MODIFICATION	日期 DATE	制图 DRAW	审核 APPROVE
A	图纸发行	2012/10/29	JDL	Oscar



PEG/TAB



PC Board Layout

NOTES:  
**MATERIAL:**  
 1. HOUSING MATERIAL :GLASS FILLED POLYESTER(UL94V-0).  
 2. CONTACT MATERIAL :PHOSPHOR BRONZE T=0.35mm.  
 3. PLATING :GOLD PLATING OVER NICKEL.  
 4. SHIELD COPPER ALLOY 0.20mm THICKNESS PLATING Ni.  
**ELECTRICAL:**  
 1. VOLTAGE RATING :125 VAC RMS.  
 2. CURRENT RATING :1.5 AMP.  
 3. CONTACT RESISTANCE :50 MILLIOHMS MAX.  
 4. INSULATION RESISTANCE :500 MEGOHMS MIN @ 500V DC.  
 5. DIELECTRIC WITHSTANDING RESISTANCE :1000V AC RMS 50Hz, 1MIN.  
**MECHANICAL:**  
 1. DURRABILITY :750 CYCLES MIN.  
 2. PCB RETENTION PRE-SOLDER :1 LB MIN.  
**ENVIRONMENTAL:**  
 1. STORAGE : -40°C TO +85°C.  
 2. OPERATION : 0°C TO 70°C.  
 MATES WITH MODULAR PLUG CONFORMING TO FCC PART 88,SUBPART F.



◎◎ : Inspection Item ◎CPK : Cp/Cpk and SPC Control Item	DIMENSION IN mm [Inch]		HDC 有限公司	
	TOLERANCE UNLESS OTHERWISE SPECIFIED		文件号 FILE NO.	图号 DWG NO.
	.X± 0.20	.X.*± 1*	GRJJ-H7192	
	.XX± 0.15	.X.*± 0.5*	名称 TITLE	
.XXX± 0.075		58A 1X1 6P6C PCB JACK WITH SHIELDED SIDE ENTRY, ROUND PIN		
制图 DRAW	审核 CHECK	制图 DRAW	审核 CHECK	比例 SCALE
Oscar		Oscar		1:1
		图法 PROJ.	图幅 SHEET	更改 REV
		1:1	A3	1 / 1 A

1 2 3 4 5 6 7 8