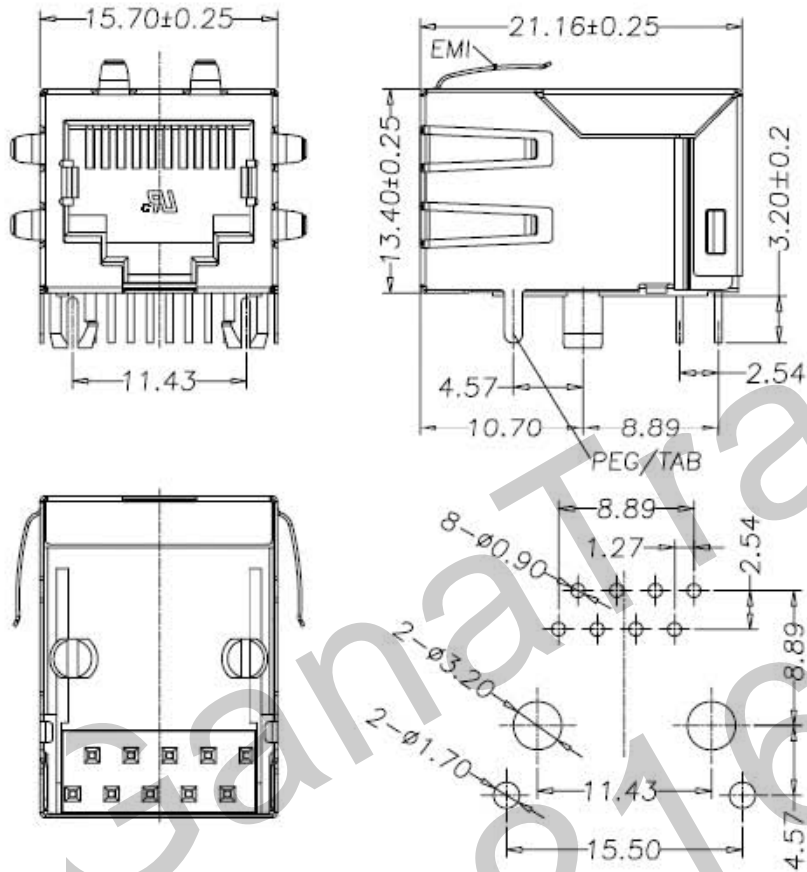


更改 REV	变更内容 MODIFICATION	日期 DATE	制图 DRAW	核准 APPROVE
A	图面发行	2012/10/29	JDL	Oscar



PC Board Layout

NOTES:

ELECTRICAL:

- VOLTAGE RATING : 125 VAC RMS.
- CURRENT RATING : 1.5 AMP.
- CONTACT RESISTANCE : 50 MILLIOHMS MAX.
- INSULATION RESISTANCE: 500 MEGOHMS MIN @ 500 VDC.
- DIELECTRIC STRENGTH : 1000 VAC RMS 50Hz, 1MIN.

MECHANICAL:

- HOUSING MATERIAL : NYLON+30%.G.F UL94V-0.
- CONTACT MATERIAL : PHOSPHOR BRONZE Ø0.46mm.
- PLATING : GOLD PLATING OVER NICKEL.
- SHIELD, COPPER ALLOY(OR STEEL ALLOY) 0.20mm THICKNESS PLATING NI.
- LED-OPTION
- OPERATING LIFE : 750 CYCLES MIN.
- PCB RETENTION PRE-SOLDER : 1 LB MIN.
- PCB RETENTION POST-SOLDER: 10 LBS MIN.

ENVIRONMENTAL:

- STORAGE : -40°C TO +85°C.
 - OPERATION: 0°C TO +70°C.
 - WAVE SOLDERING TEMPERATURE: 255°~265° (5~10SECONDS).
 - ROHS COMPLIANT
- MATES WITH MODULAR PLUG CONFORMING TO FCC PART 6B, SUBPART F.

QC : Inspection Item		DIMENSION IN mm [Inch]		HDC 有限公司	
Cp/Cpk and SPC Control Item	TOLERANCE UNLESS OTHERWISE SPECIFIED	专案号 FILE NO.	图号 DWG NO.	GRJJ-H7206	
	.X± 0.20 X."± 1"	名称 TITLE	59A 1X1 8P8C PCB JACK&SHIELDED WITH EMI FINGER SIDE ENTRY,ROUND PIN		
	.XX± 0.15 .X"± 0.5"		Oscar		
	.XXX± 0.075		比例 SCALE 1:1		
核准 APPROVE	审查 CHECK	制图 DRAW	审核 PROJ.	图号 SHEET 1 / 1	图幅 SIZE A3

