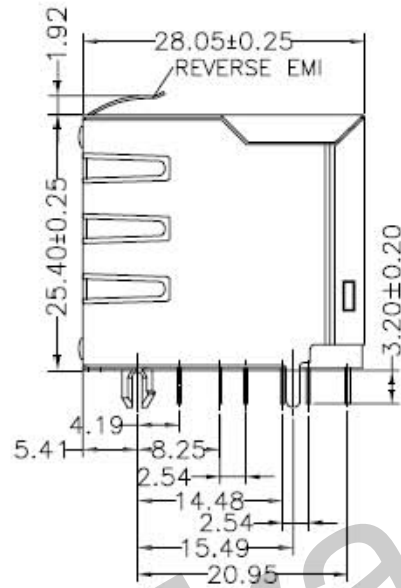
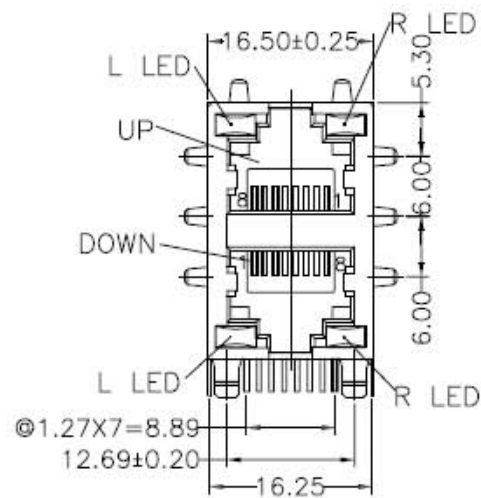
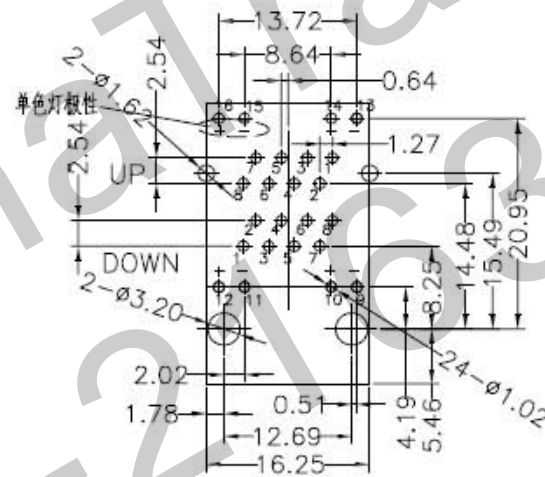
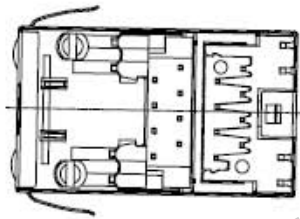


更改 REV	变更内容 MODIFICATION	日期 DATE	制图 DRAW	核准 APPROVE
A	图面发行	2012/10/29	JDL	Oscar

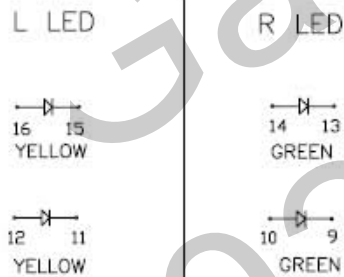


NOTES:

- MATERIAL:
- HOUSING MATERIAL :GLASS FILLED POLYESTER(UL94V-0).
 - CONTACT MATERIAL :PHOSPHOR BRONZE #0.46mm (C5100).
 - PLATING :GOLD PLATING OVER NICKEL.
 - SHIELD COPPER ALLOY(OR STEEL ALLOY) 0.20mm THICKNESS PLATING NI.
 - LED OPTION.
- ELECTRICAL:
- VOLTAGE RATING :125 VAC RMS.
 - CURRENT RATING :1.5 AMP.
 - CONTACT RESISTANCE :50 MILLIOHMS MAX.
 - INSULATION RESISTANCE :500 MEGOHMS MIN @ 500V DC.
 - DIELECTRIC WITHSTANDING RESISTANCE :1000V AC RMS 50Hz. 1MIN.
 - LED RATINGS:FORWARD VOLTAGE:2.2 VOLTS TYPICAL. REVERSE VOLTAGE:5 VOLTS MAXIMUM.
- MECHANICAL:
- DURRABILITY:750 CYCLES MIN.
 - PCB RETENTION PRE-SOLDER
- ENVIRONMENTAL:
- STORAGE :-40°C TO +85°C.
 - OPERATION: -20°C TO 70°C.
- MATES WITH MODULAR PLUG CONFORMING TO FCC PART 68,SUBPART F.



PC Board Layout



QC : Inspection Item	Cp/Cpk and SPC Control Item	DIMENSION IN mm [Inch]		HDC 有限公司	
		TOLERANCE UNLESS OTHERWISE SPECIFIED		文件号 FILE NO.	图号 DWG NO
		.X± 0.20	X.*± 1*	GRJJ-H7222	
		.XX± 0.15	.X.*± 0.5*	名称 TITLE	
.XXX± 0.075		59A 2X1 8P8C PCB JACK&SHIELDED WITH EMI FINGER SIDE ENTRY,FLAT PIN			
核准 APPROVE	审核 CHECK	制图 DRAW	制图 PROJ.	张数 SHEET	共张 1 / 1
Oscar		比例 SCALE	1:1	图幅 SIZE	A3
				更改 REV	A