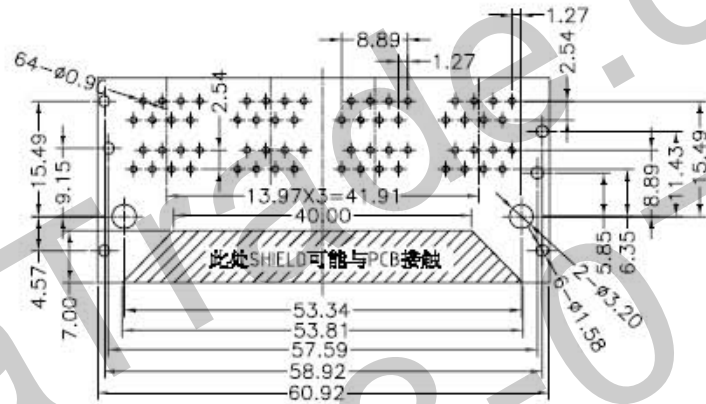
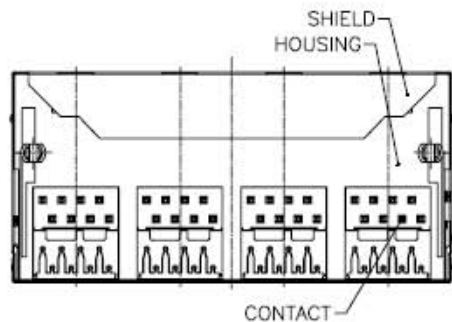
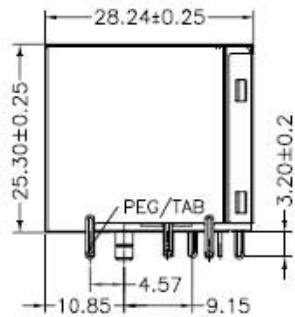
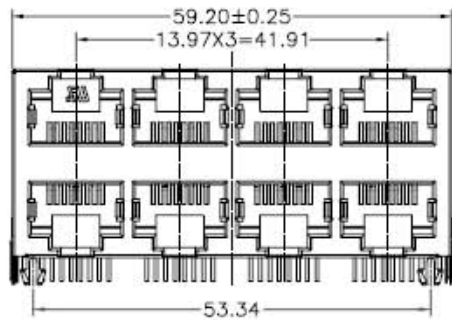
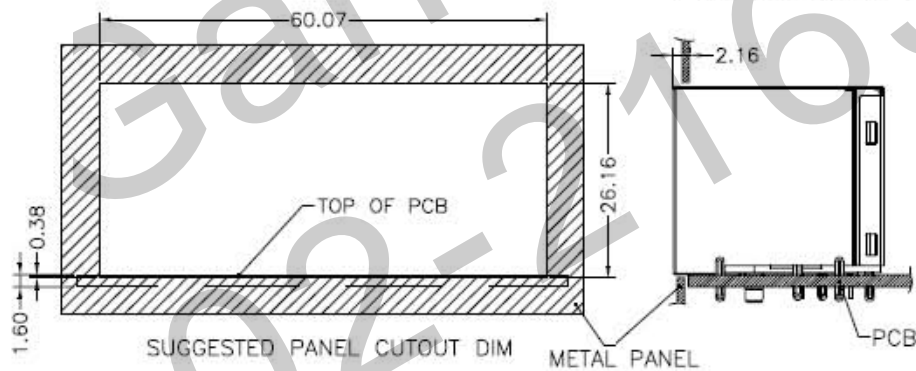


1 2 3 4 5 6 7 8

更改 REV	设计内容 MODIFICATION	日期 DATE	制图 DRAW	核准 APPROVE
A	图纸发行	2012/10/29	JDL	Oscar



PC Board Layout



NOTES:

MATERIAL:

- HOUSING MATERIAL :GLASS FILLED POLYESTER(UL94V-0).
- CONTACT MATERIAL :PHOSPHOR BRONZE Ø0.46mm (C5100).

- PLATING :GOLD PLATING OVER NICKEL.
- SHIELD :COPPER ALLOY 0.20mm THICKNESS PLATING NI.

ELECTRICAL:

- VOLTAGE RATING :125 VAC RMS.
- CURRENT RATING :1.5 AMP.
- CONTACT RESISTANCE :50 MILLIOHMS MAX.
- INSULATION RESISTANCE :500 MEGOHMS MIN @ 500V DC.
- DIELECTRIC WITHSTANDING RESISTANCE :1000V AC RMS 50Hz 1MIN.

MECHANICAL:

- DURRABILITY :750 CYCLES MIN.
- PCB RETENTION PRE-SOLDER :1 LB MIN.

ENVIRONMENTAL:

- STORAGE : -40°C TO +85°C.
 - OPERATION : 0°C TO 70°C.
- MATES WITH MODULAR PLUG CONFORMING TO FCC PART 68,SUBPART F.

DIMENSION IN mm [Inch]		HDC 有限公司	
TOLERANCE UNLESS OTHERWISE SPECIFIED		文件号 FILE NO.	图号 DWG NO. GRJJ-H7226
.X± 0.20	X.*± 1'	名称 TITLE 39A 2X4 BPC PCB JACK WITH SHIELDED SIDE ENTRY,ROUND PIN	
.XX± 0.15	.X*± 0.5'	制图 DRAW Oscar	核准 PROJ. 1/1
.XXX± 0.075		审核 CHECK	比例 SCALE 1:1
制图 DRAW	审核 CHECK	图幅 SIZE A3	更改 REV A

1 2 3 4 5 6 7 8