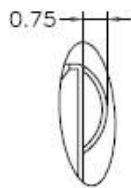
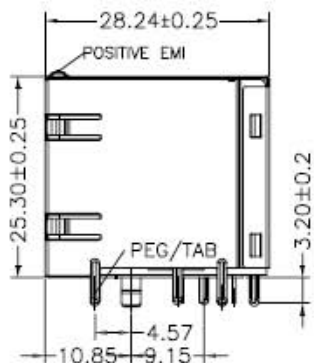
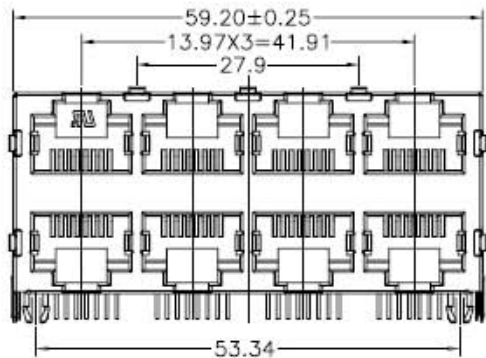


更改 REV	设计内容 MODIFICATION	日期 DATE	制图 DRAW	审核 APPROVE
A	图面发行	2012/10/29	JDL	Oscar



Detail A

NOTES:

MATERIAL:

- 1.HOUSING MATERIAL :GLASS FILLED POLYESTER(UL94V-0).
- 2.CONTACT MATERIAL :PHOSPHOR BRONZE  $\phi$ 0.46mm (C5100).
- 3.PLATING :GOLD PLATING OVER NICKEL.
- 4.SHIELD: COPPER ALLOY 0.20mm THICKNESS, PLATING NI.

ELECTRICAL:

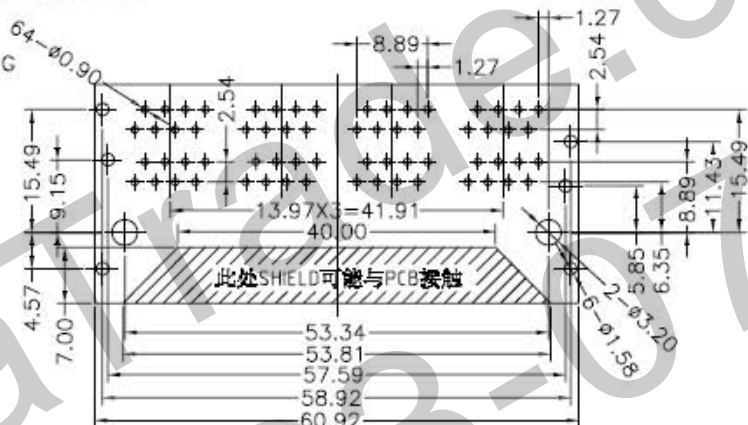
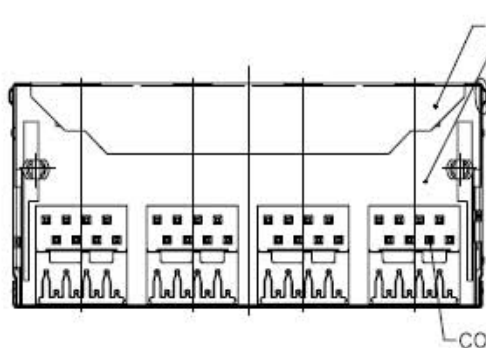
- 1.VOLTAGE RATING :125 VAC RMS.
- 2.CURRENT RATING :1.5 AMP.
- 3.CONTACT RESISTANCE :50 MILLIOHMS MAX.
- 4.INSULATION RESISTANCE :500 MEGOHMS MIN @ 500V DC.
- 5.DIELECTRIC WITHSTANDING RESISTANCE :1000V AC RMS 50Hz 1MIN.

MECHANICAL:

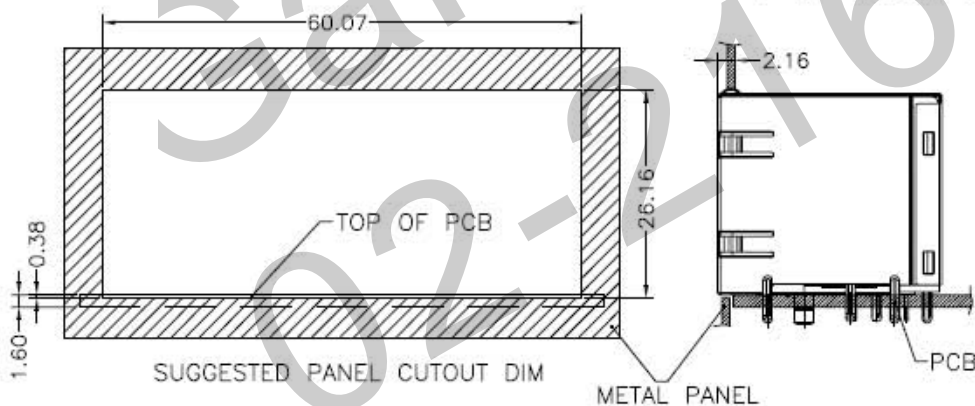
- 1.DURRABILITY :750 CYCLES MIN.
- 2.PCB RETENTION PRE-SOLDER :1 LB MIN.

ENVIRONMENTAL:

- 1.STORAGE : -40°C TO +85°C.
  2. OPERATION : 0°C TO 70°C.
- MATES WITH MODULAR PLUG CONFORMING TO FCC PART 68,SUBPART F.



PC Board Layout



QC : Inspection Item	DIMENSION IN mm [Inch]	HDC 有限公司	
Cp/Cpk and SPC Control Item	TOLERANCE UNLESS OTHERWISE SPECIFIED	图号 FILE NO.	图号 DWG NO. GRJJ-H7227
	.X± 0.20 X."± 1"	名称 TITLE : 59A 2X4 8PBC PCB JACK&SHIELDED WITH EMI FINGER SIDE ENTRY,ROUND PIN	
	.XX± 0.15 .X"± 0.5"		
	.XXX± 0.075	制图 DRAW Oscar	审核 SHEET 1 / 1
批准 APPROVE	检查 CHECK	比例 SCALE 1:1	图幅 SIZE A3