

更改 REV	设计内容 MODIFICATION	日期 DATE	制图 DRAW	核准 APPROVE
A	图纸发行	2012/10/29	JDL	Oscar

NOTES:

MATERIAL:

1. HOUSING MATERIAL : GLASS FILLED POLYESTER (UL94V-0).
2. CONTACT MATERIAL : PHOSPHOR BRONZE  $\phi 0.46\text{mm}$  (C5100).
3. PLATING : GOLD PLATING OVER NICKEL.
4. SHIELD: COPPER ALLOY 0.20mm THICKNESS PLATING NI.

ELECTRICAL:

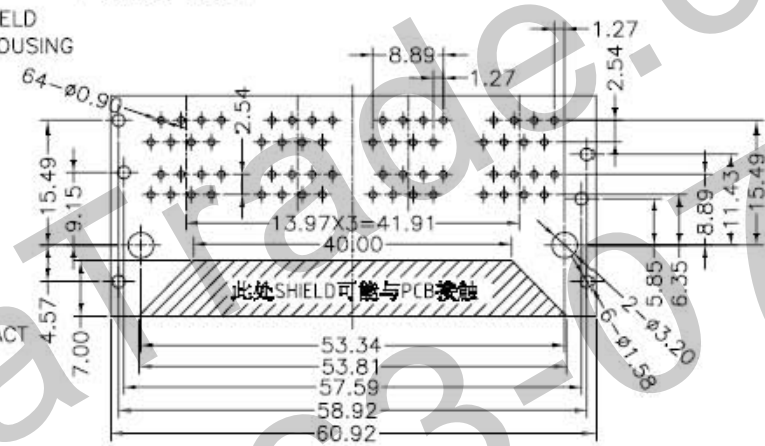
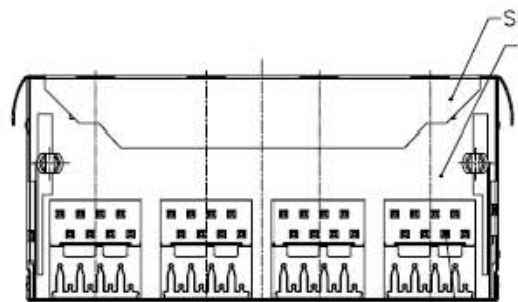
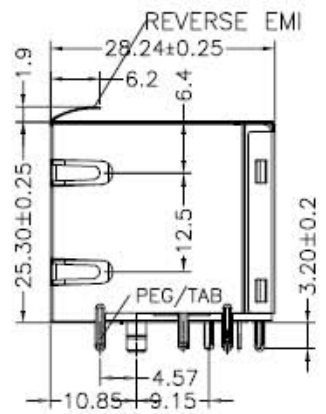
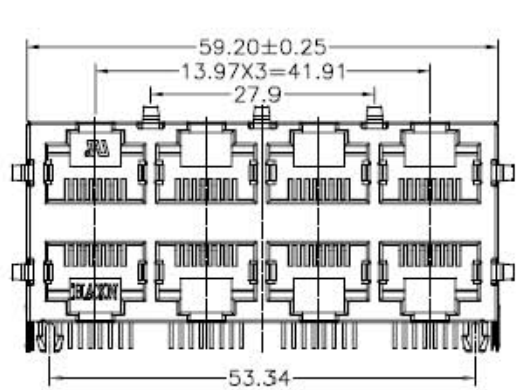
1. VOLTAGE RATING : 125 VAC RMS.
2. CURRENT RATING : 1.5 AMP.
3. CONTACT RESISTANCE : 50 MILLIOHMS MAX.
4. INSULATION RESISTANCE : 500 MEGOHMS MIN @ 500V DC.
5. DIELECTRIC WITHSTANDING RESISTANCE : 1000V AC RMS 50Hz 1MIN.

MECHANICAL:

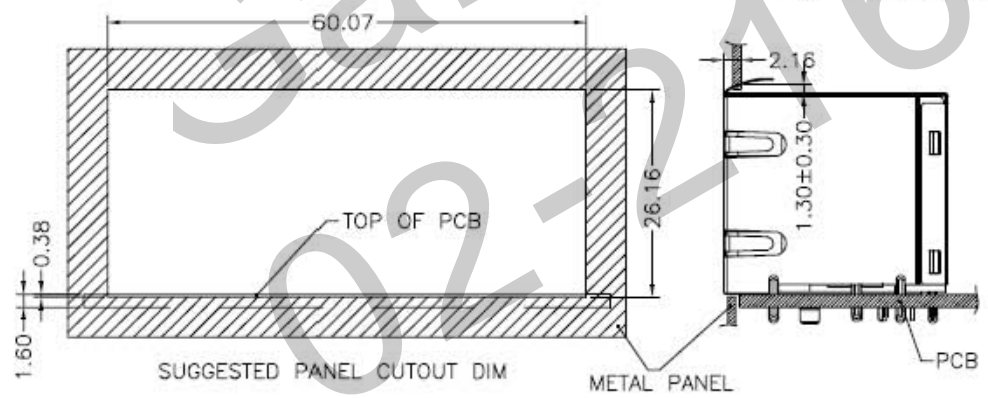
1. DURABILITY : 750 CYCLES MIN.
2. PCB RETENTION PRE-SOLDER : 1 LB MIN.

ENVIRONMENTAL:

1. STORAGE : -40°C TO +85°C.
  2. OPERATION : 0°C TO 70°C.
- MATES WITH MODULAR PLUG CONFORMING TO FCC PART 68, SUBPART F.



PC Board Layout



QC : Inspection Item	DIMENSION IN mm [Inch]		HDC 有限公司	
	TOLERANCE UNLESS OTHERWISE SPECIFIED		图号 FILE NO.	料号 DWG NO. GRJ-H7228
CPK : Cp/Cpk and SPC Control Item	.X± 0.20	X.*± 1'	名称 TITLE S9A 2X4 8PBC PCB JACK&SHIELDED WITH EMI FINGER SIDE ENTRY,ROUND PIN	
	.XX± 0.15	.X*± 0.5'		
	.XXX± 0.075		制图 DRAW Oscar	审核 CHECK
	审核 APPROVE	审核 CHECK	比例 SCALE 1:1	张数 SHEET 1 / 1