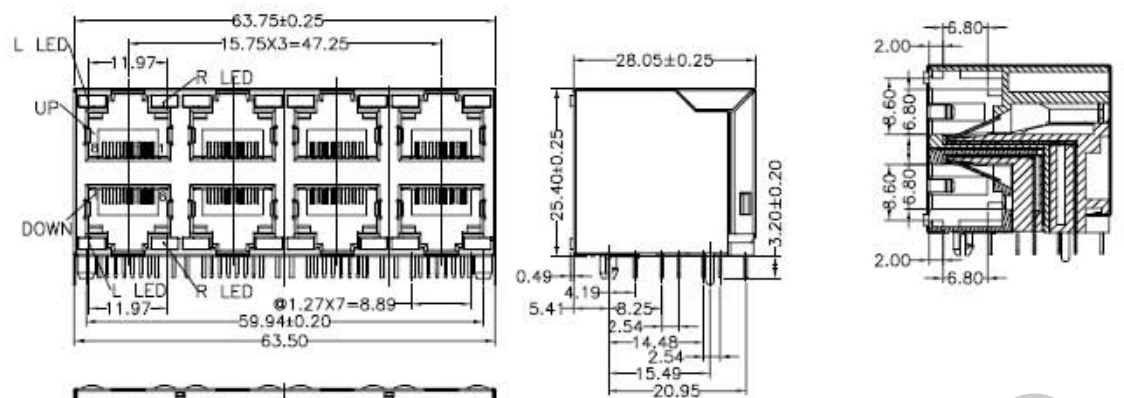
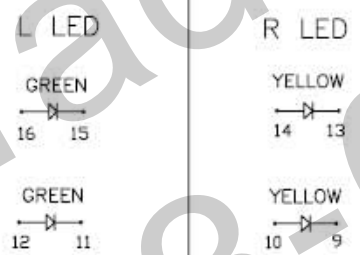
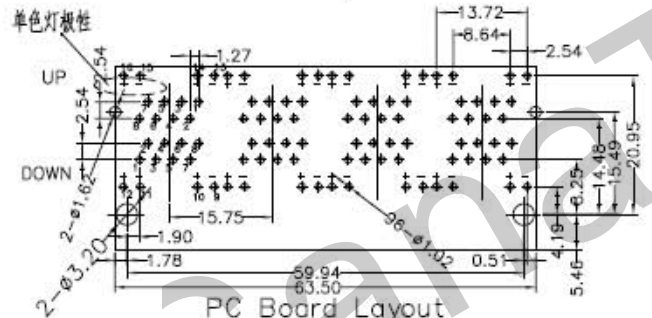


更改 REV	设计内容 MODIFICATION	日期 DATE	制图 DRAW	审核 APPROVE
A	图面发行	2012/10/29	JDL	Oscar

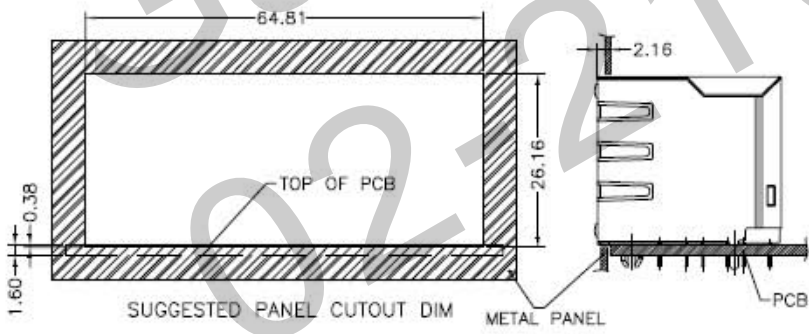


NOTES:

- MATERIAL:**
1. HOUSING MATERIAL :GLASS FILLED POLYESTER(UL94V-0).
 2. CONTACT MATERIAL :PHOSPHOR BRONZE Ø0.46mm (C5100).
 3. PLATING :GOLD PLATING OVER NICKEL.
 4. SHIELD: COPPER ALLOY(OR STEEL ALLOY) 0.20mm THICKNESS PLATING NI.
 5. LED: OPTION.
- ELECTRICAL:**
1. VOLTAGE RATING :125 VAC RMS.
 2. CURRENT RATING :1.5 AMP.
 3. CONTACT RESISTANCE :50 MILLIOHMS MAX.
 4. INSULATION RESISTANCE :500 MEGOHMS MIN @ 500V DC.
 5. DIELECTRIC WITHSTANDING RESISTANCE :1000V AC RMS 50Hz, 1MIN.
 6. LED RATINGS: FORWARD VOLTAGE:2.2 VOLTS TYPICAL. REVERSE VOLTAGE:5 VOLTS MAXIMUM.
- MECHANICAL:**
1. DURRABILITY:750 CYCLES MIN.
 2. PCB RETENTION PRE-SOLDER
- ENVIRONMENTAL:**
1. STORAGE : -40°C TO +85°C.
 2. OPERATION: -20°C TO 70°C.
- MATES WITH MODULAR PLUG CONFORMING TO FCC PART 68,SUBPART F.



PC Board Layout



SUGGESTED PANEL CUTOUT DIM METAL PANEL PCB

QC : Inspection Item	Cp/Cpk and SPC Control Item	DIMENSION IN mm [Inch]		HDC 有限公司								
		TOLERANCE UNLESS OTHERWISE SPECIFIED				料号 FILE NO.	图号 DWG NO.					
		.X± 0.20	X.*± 1*	名称 TITLE	59A 2X4 8PBC PCB JACK WITH LED & SHIELDED SIDE ENTRY, FLAT PIN							
		.XX± 0.15	.X.*± 0.5*		数量 DRAW	比例 SCALE	图幅 SIZE					
.XXX± 0.075		制图 DRAW	审核 CHECK		数量 SHEET	1 / 1						
				Oscar	比例 SCALE	1:1	图幅 SIZE	A3	数量 SHEET	1 / 1	审核 REV	A