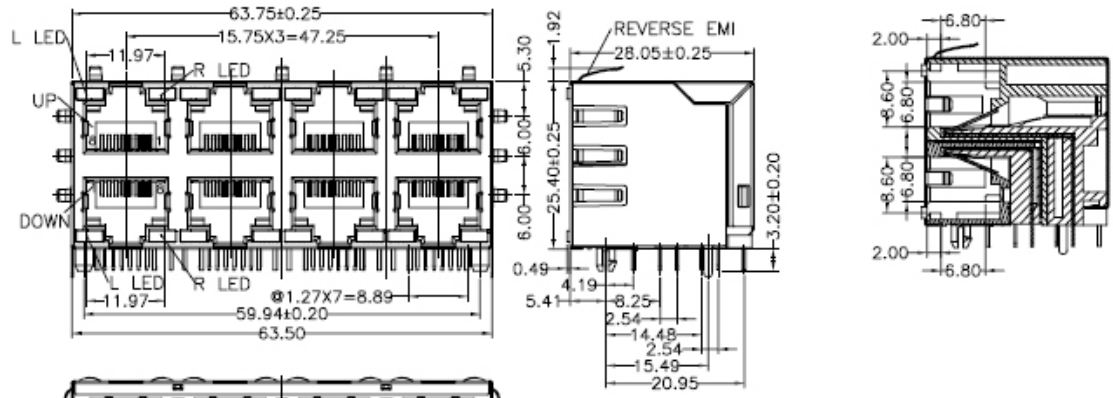


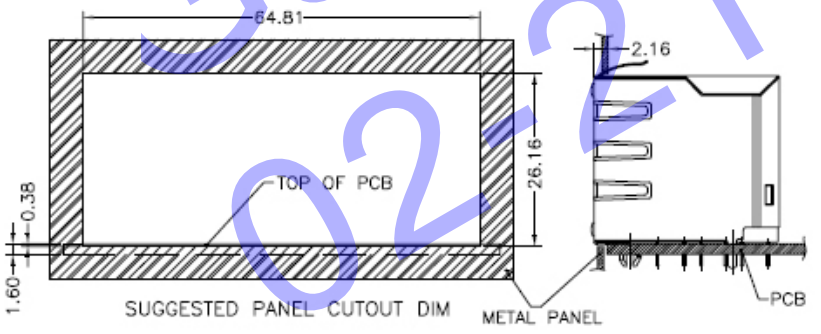
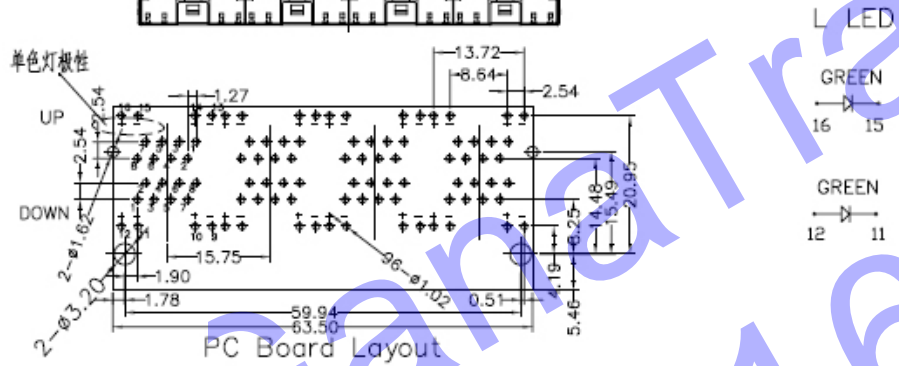
1 2 3 4 5 6 7 8

更改 REV	设计内容 MODIFICATION	日期 DATE	制图 DRAW	核准 APPROVE
A	图面发行	2012/10/29	JDL	Oscar



NOTES:

- MATERIAL:
- 1.HOUSING MATERIAL :GLASS FILLED POLYESTER(UL94V-0).
 - 2.CONTACT MATERIAL :PHOSPHOR BRONZE #0.46mm (C5100).
 - 3.PLATING :GOLD PLATING OVER NICKEL.
 - 4.SHIELD COPPER ALLOY(OR STEEL ALLOY) 0.20mm THICKNESS PLATING NI.
 - 5.LED OPTION.
- ELECTRICAL:
- 1.VOLTAGE RATING :125 VAC RMS.
 - 2.CURRENT RATING :1.5 AMP.
 - 3.CONTACT RESISTANCE :50 MILLIOHMS MAX.
 - 4.INSULATION RESISTANCE :500 MEGOHMS MIN @ 500V DC.
 - 5.DIELECTRIC WITHSTANDING RESISTANCE :1000V AC RMS 50Hz. 1MIN.
 - 6.LED RATINGS:FORWARD VOLTAGE:2.2 VOLTS TYPICAL REVERSE VOLTAGE:5 VOLTS MAXIMUM.
- MECHANICAL:
- 1.DURRABILITY:750 CYCLES MIN.
 - 2.PCB RETENTION PRE-SOLDER
- ENVIRONMENTAL:
- 1.STORAGE : -40°C TO +85°C.
 2. OPERATION: -20°C TO 70°C.
- MATES WITH MODULAR PLUG CONFORMING TO FCC PART 68,SUBPART F.



QC : Inspection Item CPK : Cp/Cpk and SPC Control Item	DIMENSION IN mm [Inch]		HDC 有限公司	
	TOLERANCE UNLESS OTHERWISE SPECIFIED		文件号 FILE NO.	图号 DWG NO.
	.X± 0.20	X.*± 1'	GRJ-H7231	
	.XX± 0.15	.X*± 0.5'	名称 TITLE	
.XXX± 0.075		59A 2X4 8PBC PCB JACK&SHIELDED WITH EMI FINGER SIDE ENTRY,FLAT PIN		
核准 APPROVE	审查 CHECK	制图 DRAW	审核 PROJ.	数量 SHEET
Oscar		比例 SCALE	图幅 SIZE	更改 REV
		1:1	A3	1 / 1 A

1 2 3 4 5 6 7 8