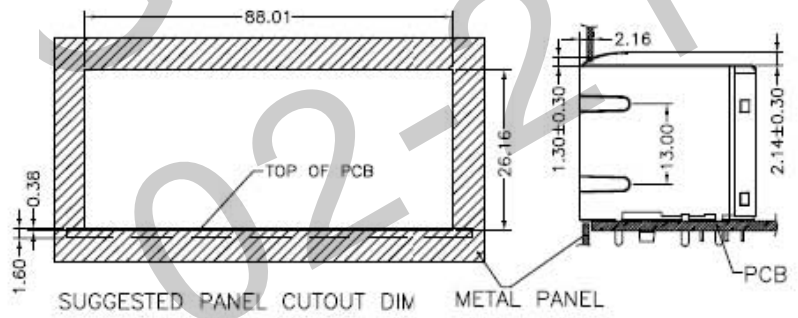
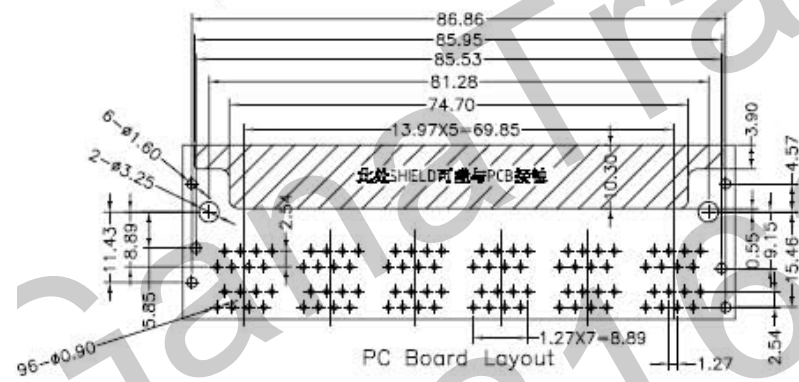
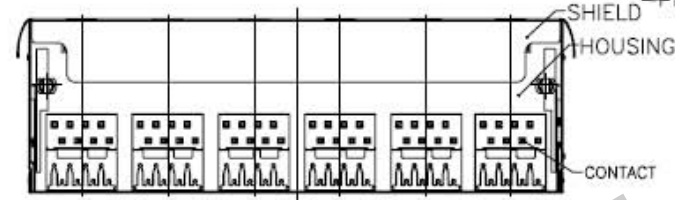
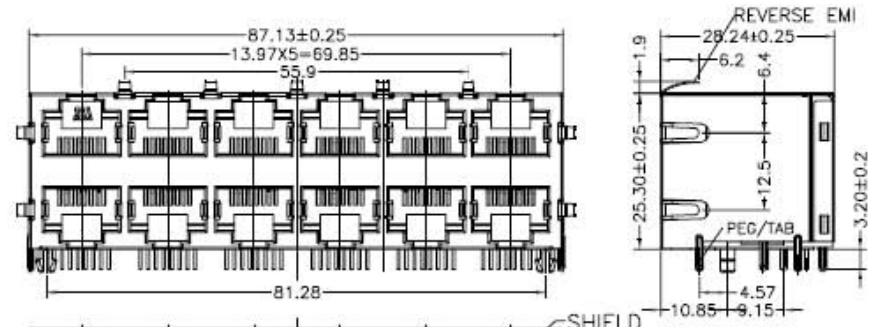


1 2 3 4 5 6 7 8

更改 REV	变更内容 MODIFICATION	日期 DATE	制图 DRAW	核准 APPROVE
A	图面发行	2012/10/29	JDL	Oscar



NOTES:

- MATERIAL:
- HOUSING MATERIAL :GLASS FILLED POLYESTER(UL94V-0).
 - CONTACT MATERIAL :PHOSPHOR BRONZE ϕ 0.46mm (C5100).
 - PLATING :GOLD PLATING OVER NICKEL.
 - SHIELD,COPPER ALLOY 0.20mm THICKNESS PLATING NI.
- ELECTRICAL:
- VOLTAGE RATING :125 VAC RMS.
 - CURRENT RATING :1.5 AMP.
 - CONTACT RESISTANCE :50 MILLIOHMS MAX.
 - INSULATION RESISTANCE :500 MEGOHMS MIN @ 500V DC.
 - DIELECTRIC WITHSTANDING RESISTANCE :1000V AC RMS 50Hz, 1MIN.
- MECHANICAL:
- DURRABILITY :750 CYCLES MIN.
 - PCB RETENTION PRE-SOLDER :1 LB MIN.
- ENVIRONMENTAL:
- STORAGE : -40°C TO +85°C.
 - OPERATION : 0°C TO 70°C.
- MATES WITH MODULAR PLUG CONFORMING TO FCC PART 68,SUBPART F.

QC : Inspection Item CPK : Cp/Cpk and SPC Control Item	DIMENSION IN mm [Inch]		HDC 有限公司	
	TOLERANCE UNLESS OTHERWISE SPECIFIED		文件号 FILE NO.	图号 DWG NO. GRJJ-H7233
	.X± 0.20	.X"± 1"	名称 TITLE 59A 2X6 8PBC PCB JACK&SHIELDED WITH BACKWARD EMI FINGER, SIDE ENTRY, ROUND PIN	
	.XX± 0.15	.X"± 0.5"	数量 REV 1 / 1	
.XXX± 0.075		制图 DRAW Oscar	审核 PROJ. SCALE 1:1	图框 SHEET A3
核准 APPROVE	审核 CHECK	比例 SCALE 1:1	图框 SHEET A3	更改 REV A

1 2 3 4 5 6 7 8

F
E
D
C
B
A