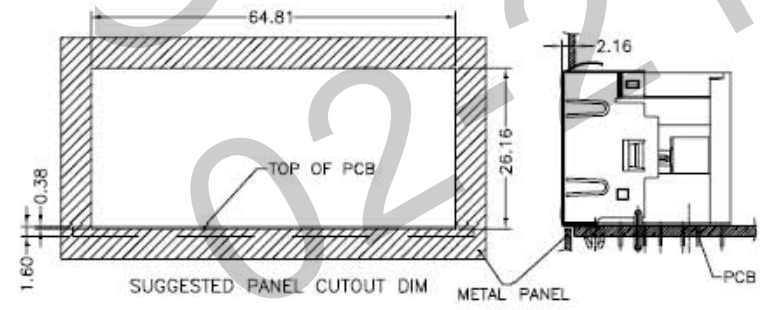
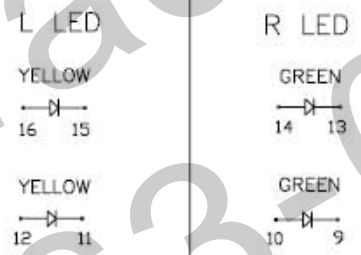
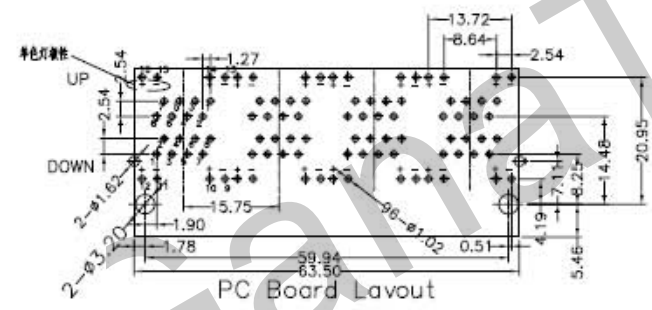
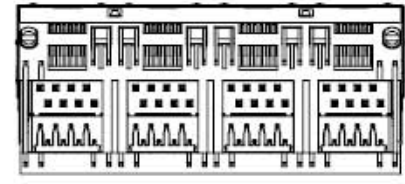
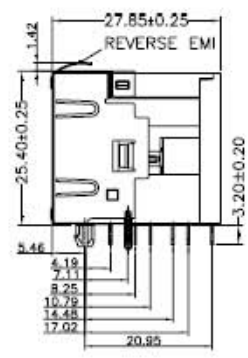
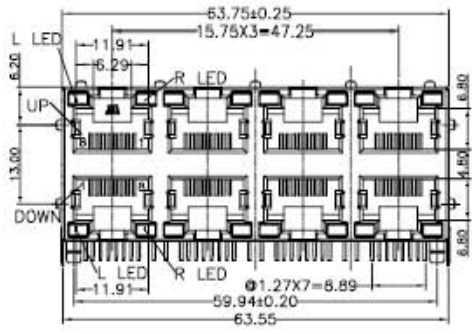


1 2 3 4 5 6 7 8

更改 REV	变更内容 MODIFICATION	日期 DATE	制图 DRAW	审核 APPROVE
A	图面发行	2012/10/29	JDL	Oscar



NOTES:

- MATERIAL:**
- HOUSING MATERIAL :GLASS FILLED POLYESTER(UL94V-0).
 - CONTACT MATERIAL :PHOSPHOR BRONZE Ø0.46mm (C5100).
 - PLATING :GOLD PLATING OVER NICKEL.
 - SHIELD COPPER ALLOY(OR STEEL ALLOY) 0.20mm THICKNESS PLATING NI.
 - LED OPTION.
- ELECTRICAL:**
- VOLTAGE RATING :125 VAC RMS.
 - CURRENT RATING :1.5 AMP.
 - CONTACT RESISTANCE :50 MILLIOHMS MAX.
 - INSULATION RESISTANCE :500 MEGOHMS MIN @ 500V DC.
 - DIELECTRIC WITHSTANDING RESISTANCE :1000V AC RMS 50Hz. 1MIN.
 - LED RATINGS:FORWARD VOLTAGE:2.2 VOLTS TYPICAL.
REVERSE VOLTAGE:5 VOLTS MAXIMUM.
- MECHANICAL:**
- DURRABILITY:750 CYCLES MIN.
 - PCB RETENTION PRE-SOLDER
- ENVIRONMENTAL:**
- STORAGE : -40°C TO +85°C.
 - OPERATION: -20°C TO 70°C.
- MATES WITH MODULAR PLUG CONFORMING TO FCC PART 68,SUBPART F.

QC : Inspection Item	DIMENSION IN mm [Inch]	HDC 有限公司					
		TOLERANCE UNLESS OTHERWISE SPECIFIED	文件号 FILE NO.	图号 DWG NO.	GRJJ-H7238		
Cp/Cpk and SPC Control Item	.X± 0.20 X."± 1"	名称 TITLE 59D 2X4 8P8C PCB JACK&Half-SHIELDED WITH Backward EMI FINGERSIDE, ENTRY,FLAT PIN					
	.XX± 0.15 .X"± 0.5"						
	.XXX± 0.075	制图 DRAW Oscar	审核 CHECK	比例 SCALE 1:1	图幅 SIZE A3	数量 SHEET 1	页次 REV A

1 2 3 4 5 6 7 8