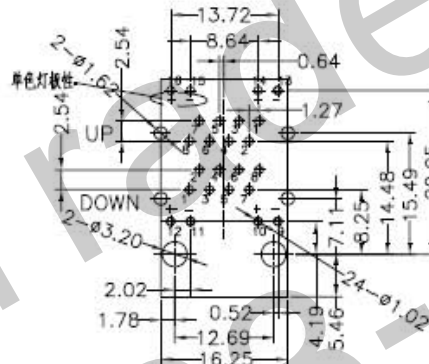
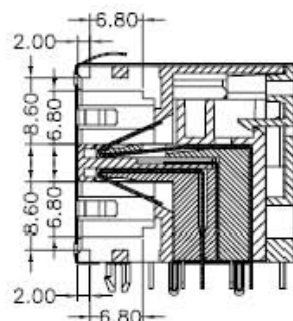
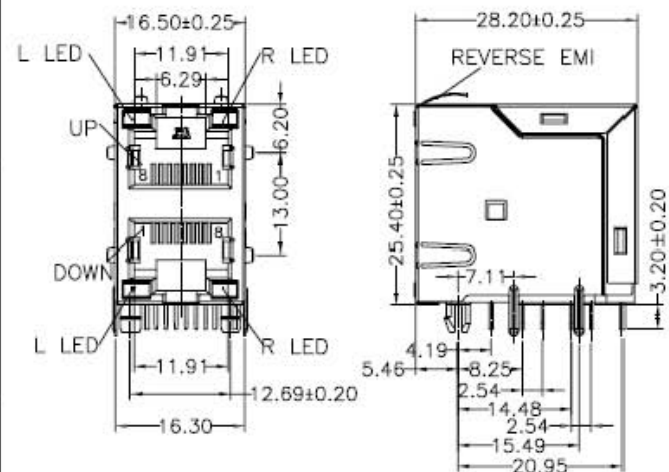


更改 REV	变更内容 MODIFICATION	日期 DATE	制图 DRAW	审核 APPROVE
A	图面发行	2012/10/29	JDL	Oscar

NOTES:

- MATERIAL:**
- 1.HOUSING MATERIAL :GLASS FILLED POLYESTER(UL94V-0).
  - 2.CONTACT MATERIAL :PHOSPHOR BRONZE  $\phi$ 0.46mm (C5100).
  - 3.PLATING :GOLD PLATING OVER NICKEL.
  - 4.SHIELD COPPER ALLOY(OR STEEL ALLOY) 0.20mm THICKNESS PLATING NI.
  - 5.LED OPTION.
- ELECTRICAL:**
- 1.VOLTAGE RATING :125 VAC RMS.
  - 2.CURRENT RATING :1.5 AMP.
  - 3.CONTACT RESISTANCE :50 MILLIOHMS MAX.
  - 4.INSULATION RESISTANCE :500 MEGOHMS MIN @ 500V DC.
  - 5.DIELECTRIC WITHSTANDING RESISTANCE :1000V AC RMS 50Hz. 1MIN.
  - 6.LED RATINGS:FORWARD VOLTAGE:2.2 VOLTS TYPICAL.  
REVERSE VOLTAGE:5 VOLTS MAXIMUM.
- MECHANICAL:**
- 1.DURRABILITY:750 CYCLES MIN.
  - 2.PCB RETENTION PRE-SOLDER
- ENVIRONMENTAL:**
- 1.STORAGE : -40°C TO +85°C.
  2. OPERATION: -20°C TO 70°C.
- MATES WITH MODULAR PLUG CONFORMING TO FCC PART 68,SUBPART F.

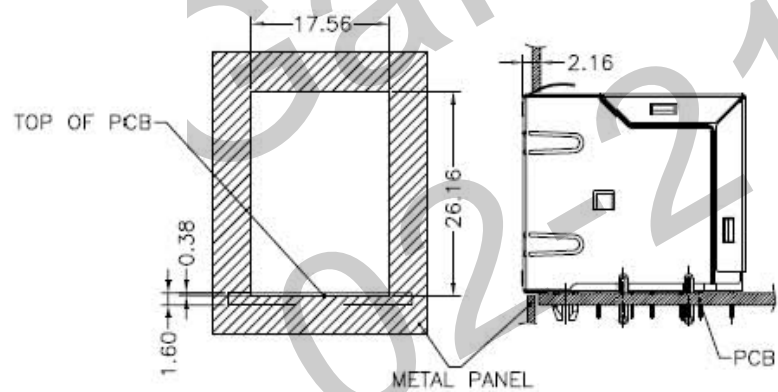


PC Board Layout

L LED



R LED



SUGGESTED PANEL CUTOUT DIM

QC : Inspection Item	DIMENSION IN mm [Inch]		HDC 有限公司	
:Cp/Cpk and SPC Control Item	TOLERANCE UNLESS OTHERWISE SPECIFIED		料单号 FILE NO.	图号 DWG NO. GRJ-H7239
	.X± 0.20	X.*± 1*	名称 TITLE 59D 2X1 8P8C PCB JACK&SHIELDED WITH EMI FINGER SIDE ENTRY,FLAT PIN	
	.XX± 0.15	.X*± 0.5*		
	.XXX± 0.075			
核准 APPROVE	审核 CHECK	制图 DRAW Oscar	审核 SHEET 1 / 1	比例 SCALE 1:1
		图幅 SIZE A3	更改 REV A	