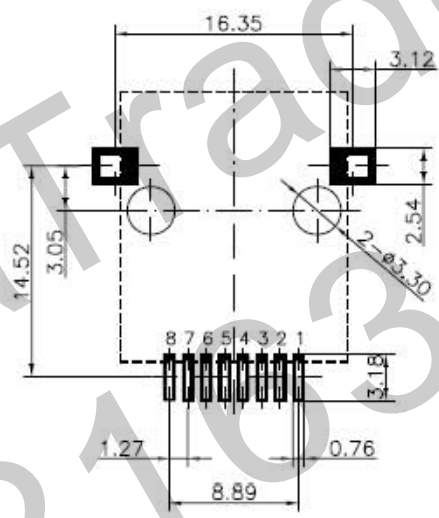
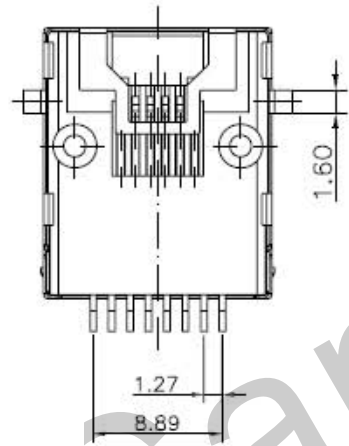
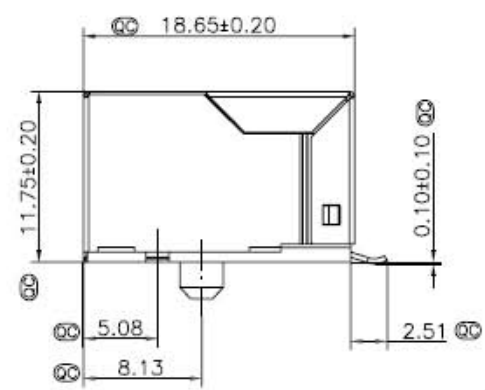
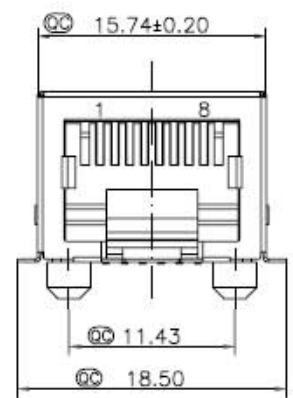
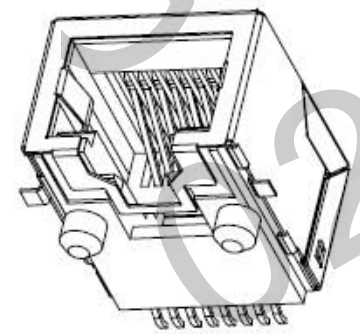


更改 REV	变更内容 MODIFICATION	日期 DATE	制图 DRAW	审核 APPROVE
A	图纸发行	2012/10/29	JDL	Oscar



PCB LAYOUT/TOP VIEW



NOTES:

ELECTRICAL:

- VOLTAGE RATING : 125 VAC RMS.
- CURRENT RATING : 1.5 AMP.
- CONTACT RESISTANCE : 50 MILLIOHMS MAX.
- INSULATION RESISTANCE: 500 MEGOHMS MIN @ 500 VDC.
- DIELECTRIC STRENGTH : 500 VAC RMS 50Hz, 1MIN.

MECHANICAL:

- HOUSING MATERIAL : NYLON(PA46)+30%.G.F UL94V-0.
- CONTACT MATERIAL : PHOSPHOR BRONZE T=0.35mm (C5210)
- PLATING : GOLD-PLATED IN THE CONTACT AREA
- SHIELD COPPER ALLOY(OR STEEL ALLOY) 0.20mm THICKNESS
- OPERATING LIFE : 750 CYCLES MIN.
- PCB RETENTION PRE-SOLDER : 1 LB MIN.
- PCB RETENTION POST-SOLDER: 10 LBS MIN.

ENVIRONMENTAL:

- STORAGE : -40°C TO +85°C.
 - OPERATION: 0°C TO +70°C.
 - IR REFLOW PEAK SOLDERING TEMPERATURE:255°C~265°C 5~10 SECONDS.
 - ROHS COMPLIANT
- FCC PART 68, SUBPART F.
MATES WITH MODULAR PLUG CONFORMING TO

◎◎ : Inspection Item ◎◎ : Cp/Cpk and SPC Control Item	DIMENSION IN mm [Inch]		HDC 有限公司				
	TOLERANCE UNLESS OTHERWISE SPECIFIED		图号 FILE NO.	图号 DWG NO. GRJJ-H7245			
	.X±0.20	X."±1"	名称 TITLE SMT 1X1 8P8C PCB JACK WITH SHIELDED Very Low Profile,H=11.75MM,SIDE ENTRY,FLAT PIN				
	.XX±0.15	.X"±0.5"					
.XXX±0.075		制图 DRAW Oscar	审核 CHECK	比例 SCALE 1:1	图幅 SIZE A3	张数 SHEET 1	张数 REV 1