

ELECTRICAL SPECIFICATIONS @ 25°C +/- 5°C unless otherwise noted:

Insertion Loss: 1-100MHZ -1.0dB MAX

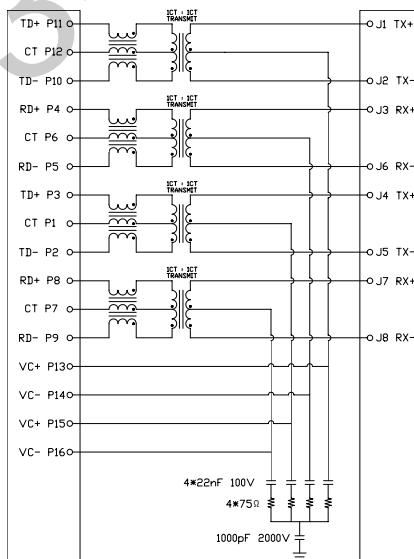
Return Loss:
 1-30MHZ -16.0dB MIN
 30-60MHZ -14.0dB MIN
 60-80MHZ -10.0dB MIN

Cross Talk:
 1-30MHZ -40.0dB MIN
 30-60MHZ -35.0dB MIN
 60-80MHZ -30.0dB MIN

CMR: 1-100MHZ -35.0dB MIN

Hi-Pot: 1500v AC 6S 1mA

OCL: 350uH MIN @ 100KHZ 100mV 8mA DC



Contacts: 0.35mm thick phos bronze plated with 6u' gold in contact area

Turn Ratio: 1CT:1CT +/- 3%

Operating temperature range: 0°C to +70°C

Housing Material: PBT Black

HDC 有限公司

UNIT: mm
 .xx +/-0.25 .xxx +/-0.13

Approved By : Herman Au

**1000BASE
 1X1Tab-Up RJ45**

P/N: GRJJ-H7246

**REV.
 A**

Drafted by CZ Lin

Sheet 1 of 1