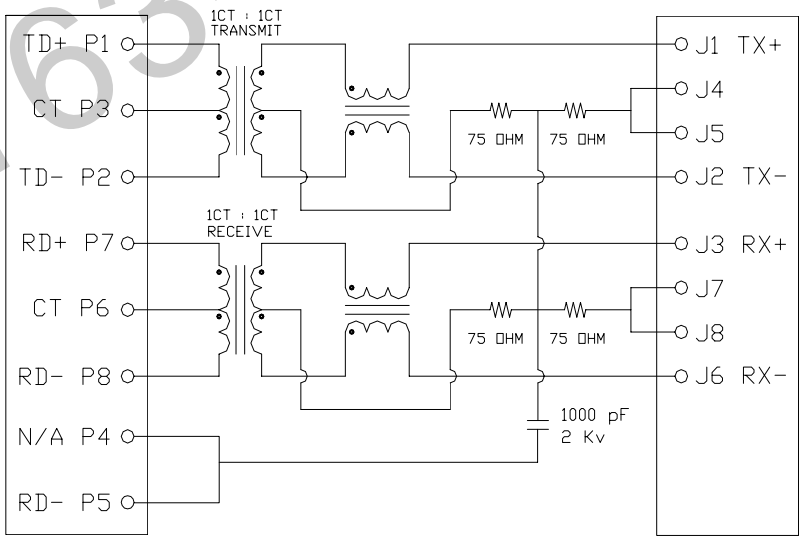


SUGGESTED PCB LAYOUT
(TOP VIEW)

ELECTRICAL SPECIFICATIONS @ 25°C +/- 5°C unless otherwise noted:

- Insertion Loss:** 1-100MHZ -1.0dB MAX
- Return Loss:** 1-30MHZ -16.0dB MIN
30-60MHZ -14.0dB MIN
60-80MHZ -10.0dB MIN
- Cross Talk:** 1-30MHZ -40.0dB MIN
30-60MHZ -35.0dB MIN
60-80MHZ -30.0dB MIN
- CMR:** 1-100MHZ -35.0dB MIN
- Hi-Pot:** 1500v AC 6S 1mA
- OCL:** 350uH MIN @ 100KHZ 100mV 8mA DC



Contacts: 0.35mm thick phos bronze plated with 6u' gold in contact are

Turn Ratio: 1CT:1CT +/- 3%

Operating temperature range: 0°C to +70°C

Housing Material: PBT Black

<p style="font-size: 24px; font-weight: bold;">HDC 有限公司</p> <p style="font-size: 18px; font-weight: bold;">Drafted by CZ Lin</p>	<p>UNIT: mm</p> <p>.xx +/-0.25 .xxx +/-0.13</p>	<p>Approved By : Herman Au</p>	
	<p>10/100BASE</p> <p>1X1Tab-Up RJ45</p>	<p>P/N: GRJJ-H7249</p>	<p>REV.</p> <p>A</p>
		<p>Sheet 1 of 1</p>	