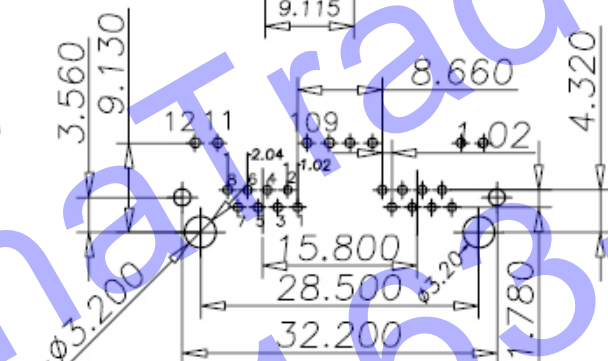
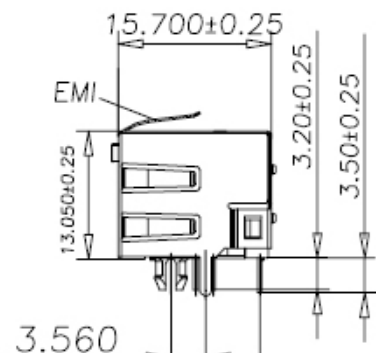
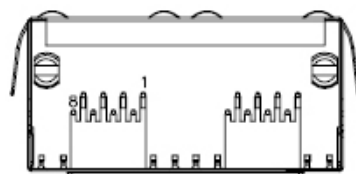
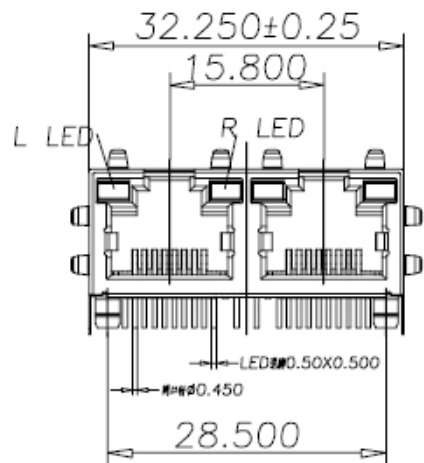
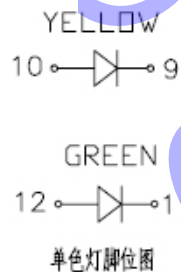


更改 REV	设计内容 MODIFICATION	日期 DATE	制图 DRAW	审核 APPROVE
A	图面发行	2012/10/29	JDL	Oscar



PC Board Layout



NOTES:

- MATERIAL:
- HOUSING MATERIAL :GLASS FILLED POLYESTER(UL94V-0).
 - CONTACT MATERIAL :PHOSPHOR BRONZE φ0.46mm (C5100).
 - PLATING :GOLD PLATING OVER NICKEL.
 - SHIELD COPPER ALLOY(OR STEEL ALLOY) 0.20mm THICKNESS PLATING NI.
 - LED#OPTION.
- ELECTRICAL:
- VOLTAGE RATING :125 VAC RMS.
 - CURRENT RATING :1.5 AMP.
 - CONTACT RESISTANCE :50 MILLIOHMS MAX.
 - INSULATION RESISTANCE :500 MEGOHMS MIN @ 500V DC.
 - DIELECTRIC WITHSTANDING RESISTANCE :1000V AC RMS 50Hz 1MIN.
 - LED RATINGS:FORWARD VOLTAGE:2.2 VOLTS TYPICAL. REVERSE VOLTAGE:5 VOLTS MAXIMUM.
- MECHANICAL:
- DURRABILITY:750 CYCLES MIN.
 - PCB RETENTION PRE-SOLDER
- ENVIRONMENTAL:
- STORAGE : -40°C TO +85°C.
 - OPERATION : -20°C TO 70°C.
- MATES WITH MODULAR PLUG CONFORMING TO FCC PART 68,SUBPART F.

PART NUMBER: 56A-S1288L2-E2XX

GOLD PLATING U"
1-Fu* 2-2u* 3-3u* 4-6u"

PLASTIC MATERIAL&COLOR:Black/Yellow/Gray
1-PBT+20%GF Black
2-PA66 Black

QC : Inspection Item	DIMENSION IN mm [Inch]	HDC 有限公司	
		TOLERANCE UNLESS OTHERWISE SPECIFIED	图号 FILE NO.
Cp/Cpk and SPC Control Item	.X± 0.20	名称 TITLE	
	.XX± 0.15	56A 1X2 8PBC LED PCB JACK&SHIELDED WITH EMI FINGER SIDE ENTRY,TAB-UP,ROUND PIN	
	.XXX± 0.075	制图 DRAW	审核 CHECK
	批准 APPROVE	Oscar	比例 SCALE 1:1
		制图 DRAW	审核 CHECK
		图号 FILE NO.	型号 DWG NO.
		名称 TITLE	56A 1X2 8PBC LED PCB JACK&SHIELDED WITH EMI FINGER SIDE ENTRY,TAB-UP,ROUND PIN
		制图 DRAW	Oscar
		比例 SCALE	1:1
		图幅 SIZE	A3
		张数 SHEET	1 / 1
		审核 REV	A