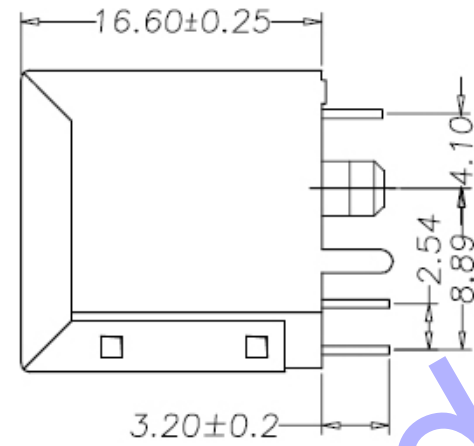
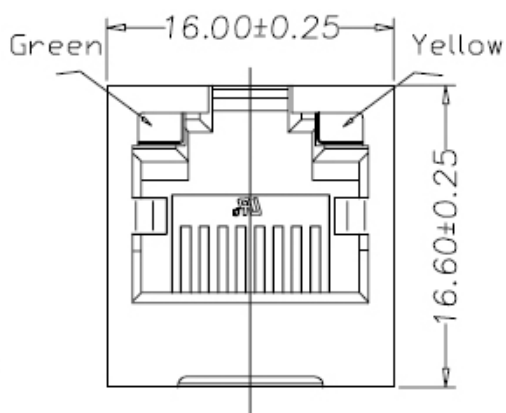


更改 REV	修改内容 MODIFICATION	日期 DATE	制图 DRAW	审核 APPROVE
A	图面发行	2012/10/29	JDL	Oscar



NOTES:

ELECTRICAL:

- VOLTAGE RATING : 125 VAC RMS.
- CURRENT RATING : 1.5 AMP.
- CONTACT RESISTANCE : 50 MILLIOHMS MAX.
- INSULATION RESISTANCE: 500 MEGOHMS MIN @ 500 VDC.
- DIELECTRIC STRENGTH : 1000 VAC RMS 50Hz, 1MIN.

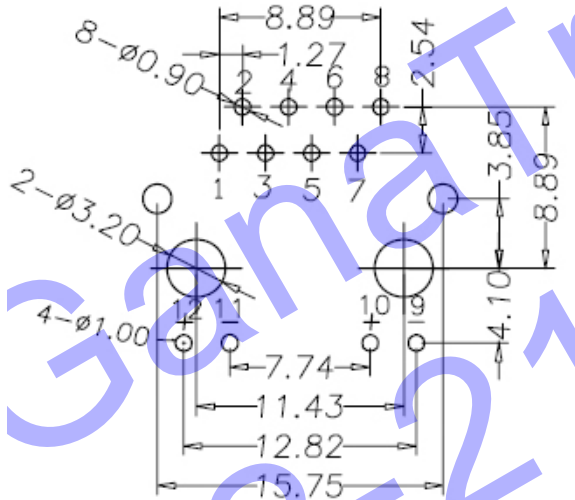
MECHANICAL:

- HOUSING MATERIAL : GLASS FILLED POLYESTER UL94V-0
- CONTACT MATERIAL : PHOSPHOR BRONZE Ø0.46mm.
- PLATING : GOLD PLATING OVER NICKEL.
- SHIELD : COPPER ALLOY(OR STEEL ALLOY) 0.20mm THICKNESS PLATING NI.
- OPERATING LIFE : 750 CYCLES MIN.
- PCB RETENTION PRE-SOLDER : 1 LB MIN.
- PCB RETENTION POST-SOLDER: 10 LBS MIN.

ENVIRONMENTAL:

- STORAGE : -40°C TO +85°C.
- OPERATION: -40°C TO +85°C.
- ROHS COMPLIANT

MATES WITH MODULAR PLUG CONFORMING TO FCC PART 68, SUBPART F.



PC Board Layout



PART NUMBER: 52A-S1108L2-XX

GOLD PLATING U"
1-Fu 2-2u 3-3u 4-5u

PLASTIC MATERIAL&COLOR:Black/Yellow/Gray
1-PBT+20%GF Black
2-PA46 Black



QC : Inspection Item Cp/Cpk and SPC Control Item CPR	DIMENSION IN mm [Inch]		HDC 有限公司	
	TOLERANCE UNLESS OTHERWISE SPECIFIED		专案号 FILE NO.	图号 DWG NO. YL52A-S1108L2
	.X±0.20	X.*±1*	名称 TITLE 52A 1X1 8PBC LED PCB JACK WITH SHIELDED TOP ENTRY,ROUND PIN	
	.XX±0.15	.X.*±0.5*		
.XXX±0.075		制图 DRAW Oscar	审核 SHIELD 1/1	图号 SCALE 1:1
核准 APPROVE	审核 CHECK	图号 DRAW	图号 SCALE 1:1	图号 SIZE A3