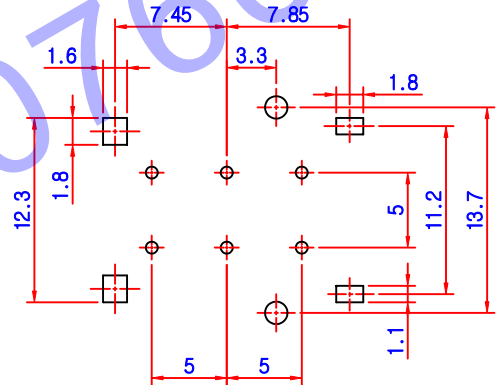
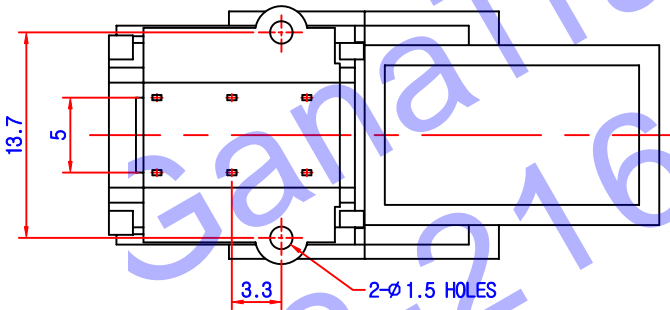
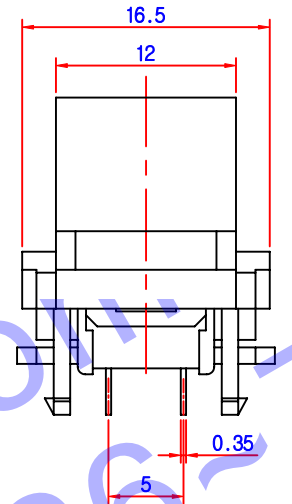
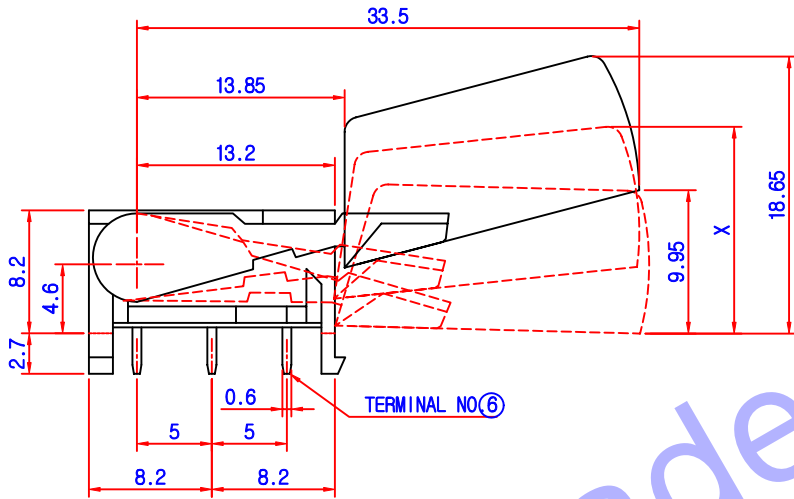


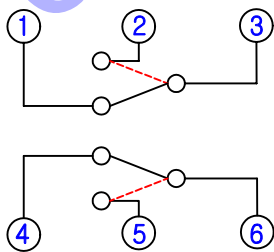
TIME LAG DIAGRAM

① ③	ON	OFF
② ③	OFF	ON
④ ⑥	ON	OFF
⑤ ⑥	OFF	ON

17.65 Max. 11 Min.  
TRAVEL POSITION (X) (m/m)



CIRCUIT DIAGRAM (VIEW "A")



\* NOTES

1. RATING : 48V DC. 200mA
2. CIRCUIT : 2C - 2P
3. CONTACT RESISTANCE : 50mΩ MAX.
4. OPERATING FORCE : MAX 70gf

DWG . BY

DES ' N BY

CH ' D BY

APP ' O BY

MODEL NO :

Kim jong pil

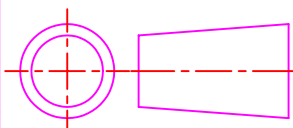
TITLE :

HOOK S/W ASS"Y

SCALE : 2 : 1

FILE NO :

DATE : 2003 ,



DWG NO ;