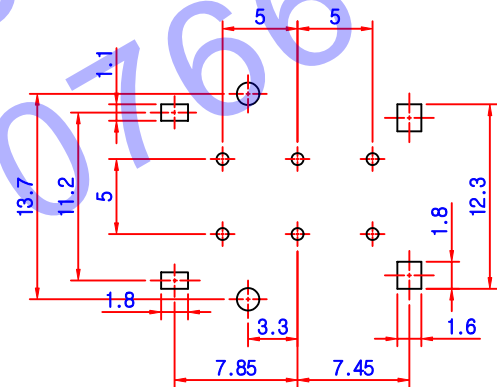
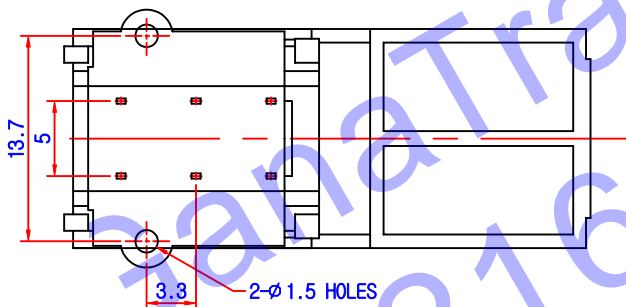
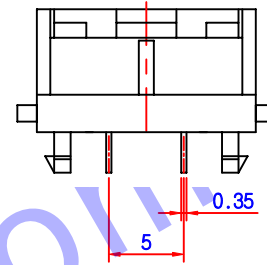
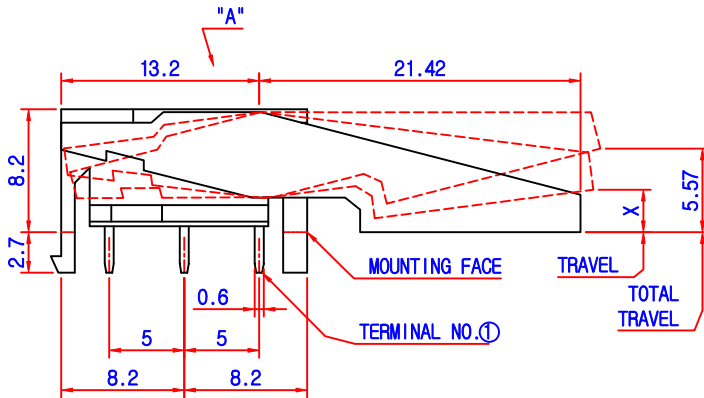


TIME LAG DIAGRAM

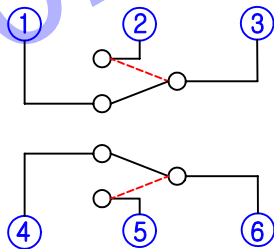
① ③	ON		OFF
② ③	OFF		ON
④ ⑥	ON		OFF
⑤ ⑥	OFF		ON

TRAVEL POSITION (X)

(m/m)



CIRCUIT DIAGRAM (VIEW "A")



*** NOTES**

1. RATING : 48V DC. 200mA
2. CIRCUIT : 2C - 2P
3. CONTACT RESISTANCE : 50mΩ MAX.
4. OPERATING FORCE : MAX 70gf

DRAWN

DESIGNED

CHECKED

APPROVED

MODEL NO :

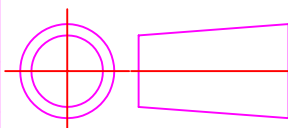
Kim jong pil

TITLE : HOOK S/W ASS'Y

SCALE : 2 : 1

FILE NO :

DATE : 2003



DWG NO ;