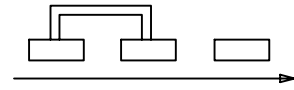
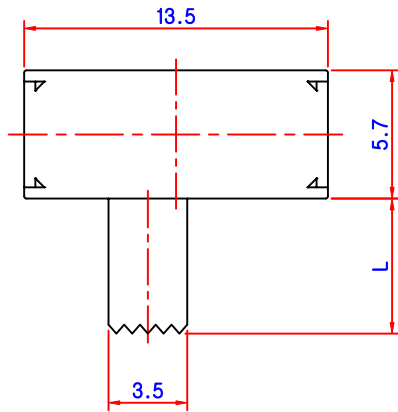
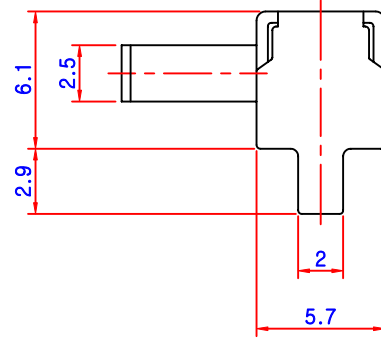
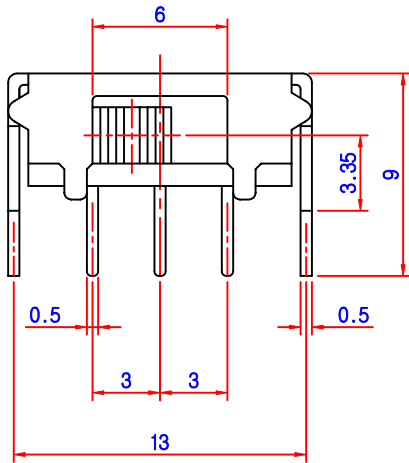


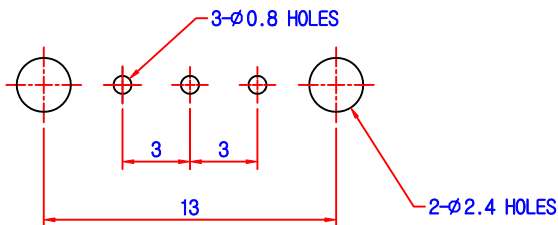
NO	M O D E L	L(mm)
1	SS-1201 S030	3
2	SS-1201 S060	6
3		



CIRCUIT DIAGRAM



P.C.B DIAGRAM



* NOTES

1. RATING : DC 30V , 0.2A
2. CIRCUIT : 1C - 2P
3. TIMING : SHORTONG of NON shorting
4. TRAVEL : 2.5 mm
5. OPERATING FORCE : 200 ± 50gf
6. TERMINAL : P.C Board Terminal

DRAWN

DESIGNED

CHECKED

APPROVED

MODEL NO :

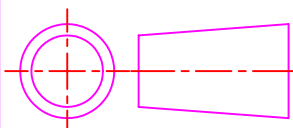
Kim jong pil

TITLE :

SLIDE S/W ASS"Y

SCALE :

3 : 1



FILE NO :

DATE : 2003

DWG NO ;