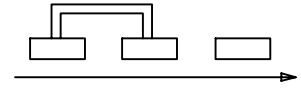
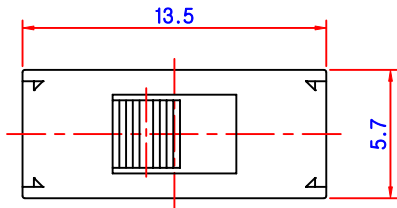
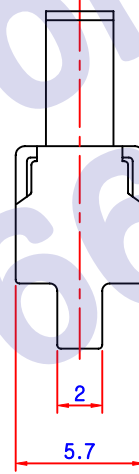
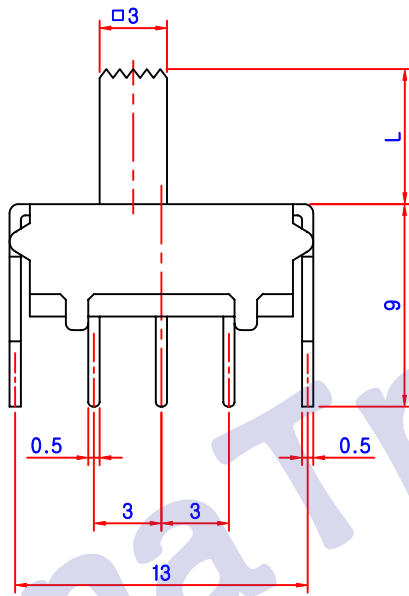


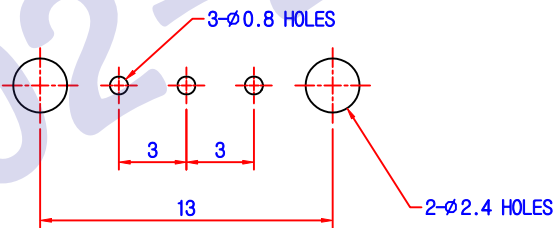
NO	M O D E L	L (mm)
1	SS-1202	4
2	SS-1206A	6
3		



CIRCUIT DIAGRAM



P.C.B DIAGRAM



\* NOTES

1. RATING : DC 50V , 0.3A
2. CIRCUIT : 1C - 2P
3. TIMING : SHORTONG of NON shorting
4. TRAVEL : 3.0 mm
5. OPERATING FORCE : 200 ± 100gf
6. TERMINAL : P.C Board Terminal

DRAWN

DESIGNED

CHECKED

APPROVED

MODEL NO :

Kim jong pil

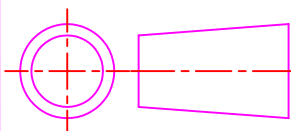
TITLE :

SLIDE S/W ASS"Y

SCALE : 3 : 1

FILE NO :

DATE : 2003



DWG NO ;