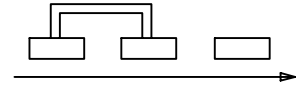
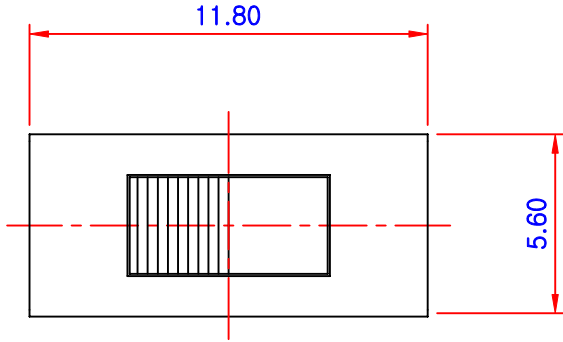
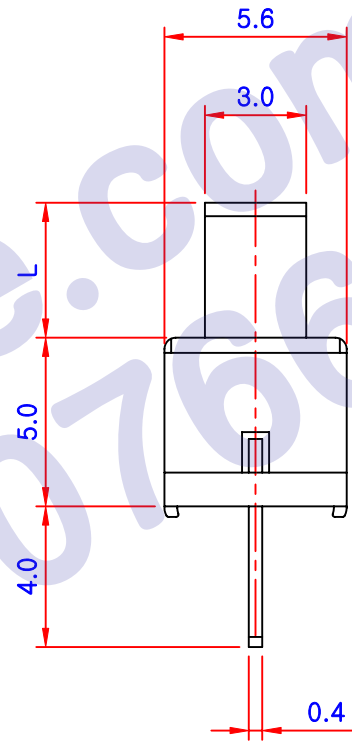
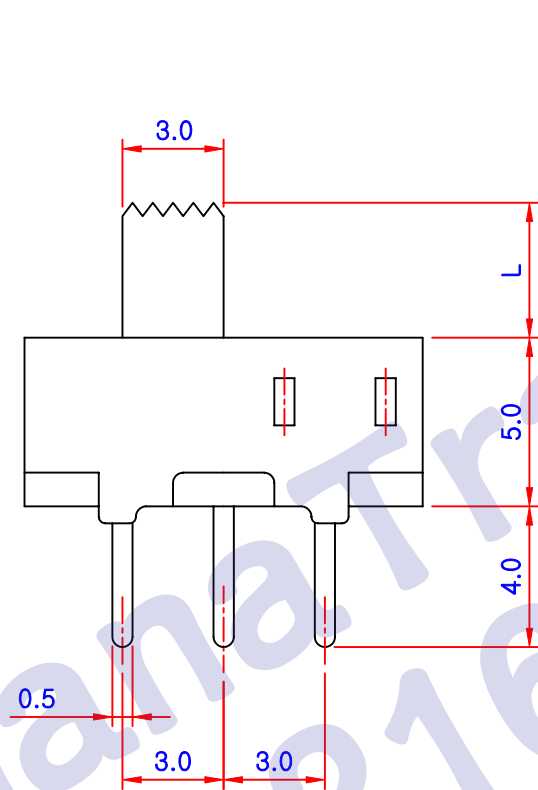


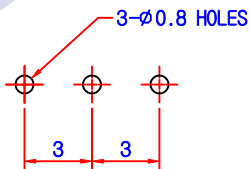
NO	MODEL	L(mm)
1	SS-1204	4
2	SS-1204 S	6
3		



CIRCUIT DIAGRAM



P.C.B DIAGRAM



* NOTE

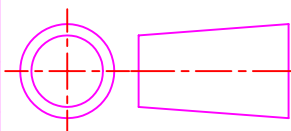
1. RATING : 50V DC, 0.3A
2. CIRCUIT : 1C - 2P
3. TIMING : NON SHORTING
4. TRAVEL : 2.5
5. OPERATING FORCE : 200 ± 500gf

DRAWN	DESIGNED	CHECKED	APPROVED
Kim jong pil			

MODEL NO :

TITLE : SLIDE S/W ASS"Y

SCALE : 3 : 1



FILE NO :

DATE : 2003

DWG NO ;