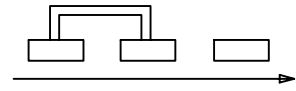
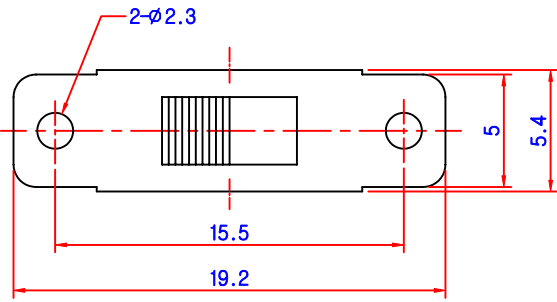
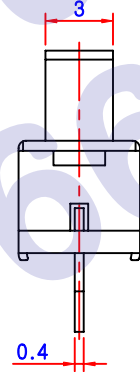
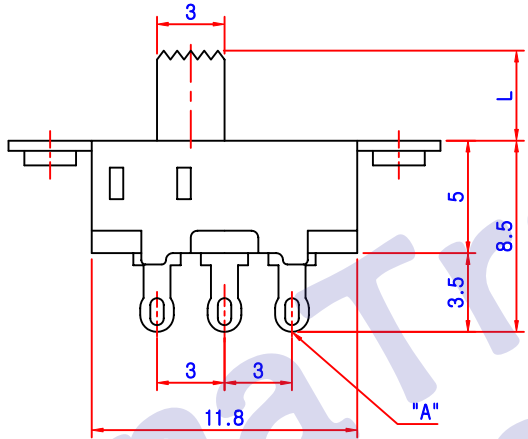


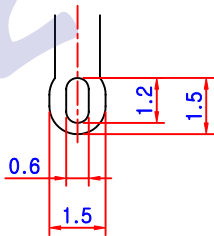
NO	M O D E L	L(mm)
1	SS-1206 B040	4
2	SS-1206 B055	5.5
3		



CIRCUIT DIAGRAM



DETAIL "A" (5:1)



* NOTES

1. RATING : DC 30V , 0.2A
2. CIRCUIT : 1C - 2P
3. TIMING : SHORTONG of NON SHORTING
4. TRAVEL : 3.0 mm
5. OPERATING FORCE : 200 ± 100gf
6. TERMINAL : Load Wiring or P.C Board Terminal

DRAWN	DESIGNED	CHECKED	APPROVED
Kim jong pil			
SCALE :	3 : 1		
FILE NO :			
DATE : 2003			

MODEL NO :

TITLE : SLIDE S/W ASS"Y

DWG NO ;