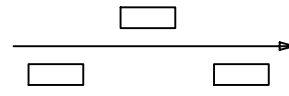
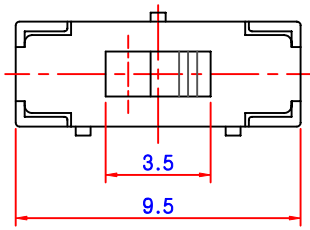
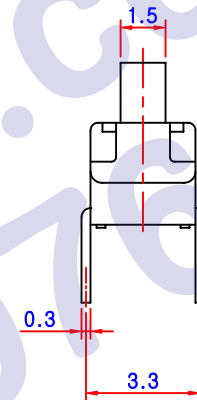
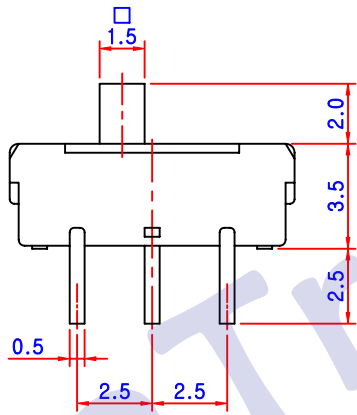


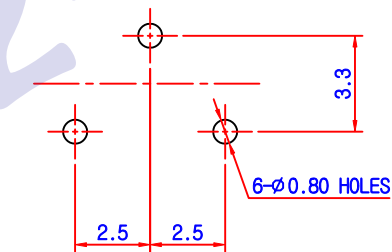
NO	M O D E L	L(mm)
1		
2		



CIRCUIT DIAGRAM



P.C.B DIAGRAM



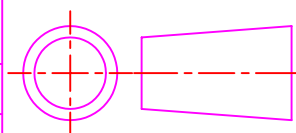
* NOTES

1. RATING : 6V DC, 0.3A
2. CIRCUIT : 1C - 2P
3. TIMING : NON SHORTING
4. TRAVEL : 2.0 mm
5. OPERATING FORCE : 200 ± 100gf

DRAWN	DESIGNED	CHECKED	APPROVED
Kim jong pil			

MODEL NO : SS - 1235
TITLE : SLIDE S/W ASS'Y

SCALE : 5 : 1
 FILE NO :
 DATE : 2003 3, 19



DWG NO ;