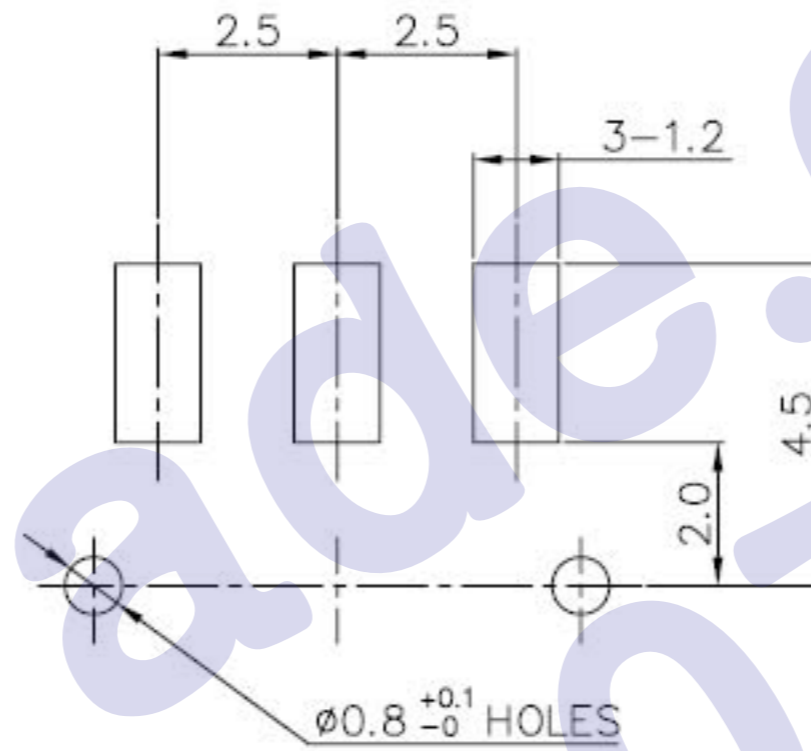
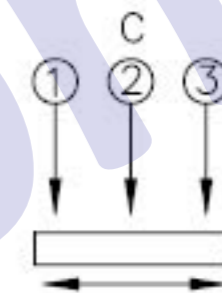


P.C.B LAND PATTERN DETAIL



CIRCUIT DIAGRAM

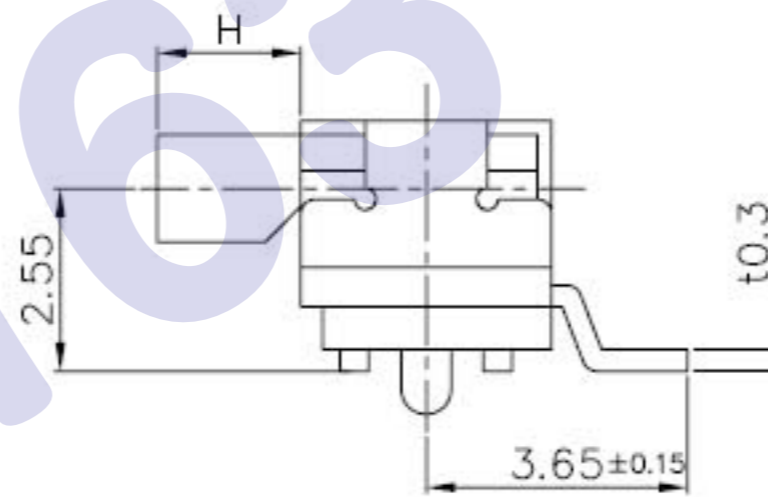
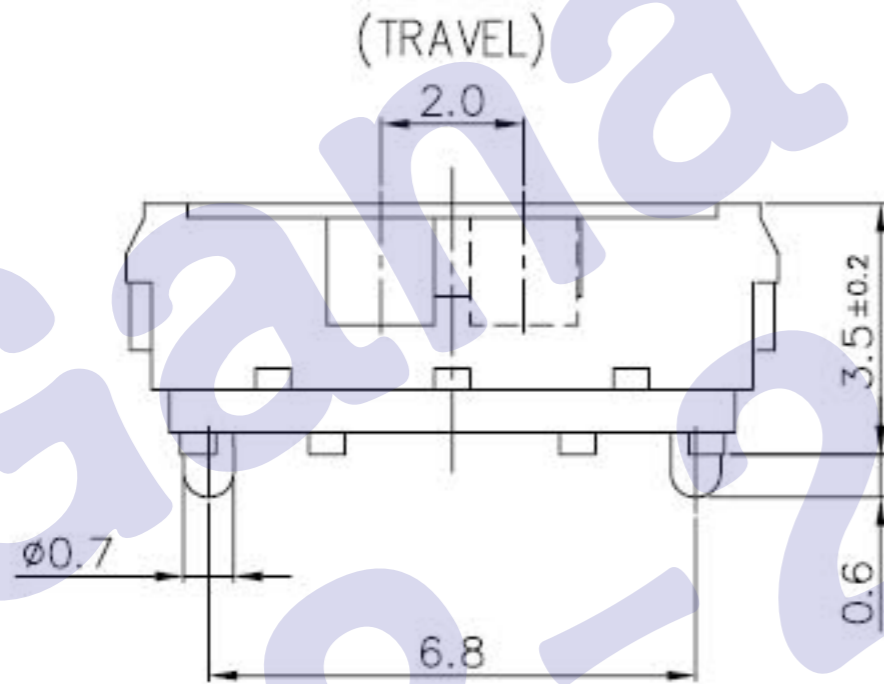


KNOB HEIGHT

MODEL	H (mm)
DJS1280A	2.0
DJS1280B	4.0

SPECIFICATION

1. RATING : DC 6V 0.3A
2. CIRCUIT : 1C-2P
3. TIMING : NON-SHORTING
4. TRAVEL : 2±0.1mm
5. OPERATING FORCE : 200±100gf
6. CONTACT RESISTANCE : 70mΩ MAX.
7. OPERATING LIFE : 10,000 CYCLES



TOLERANCE UNLESS OTHERWISE STATED(mm)

less than 10	±0.1
10~30	±0.2
30~100	±0.3
ANGLE	±2'

NO.	PART NAME			Q'TY	MATERIAL	SPEC	TREATMENT	REMARK
	DESIGN	CHECK	APPROVE					
K.M.S	M.K.J	K.Y.I		1/1		TITLE	GSS-1280	SLIDE SWITCH
GANA ELECTRONIC						DRAWING NO.		
						DATE	2006. 12. 20	

REV No.	DATE	DESCRIPTION OF REVISION	SIGN	APP.
4				
3				
2				
1				