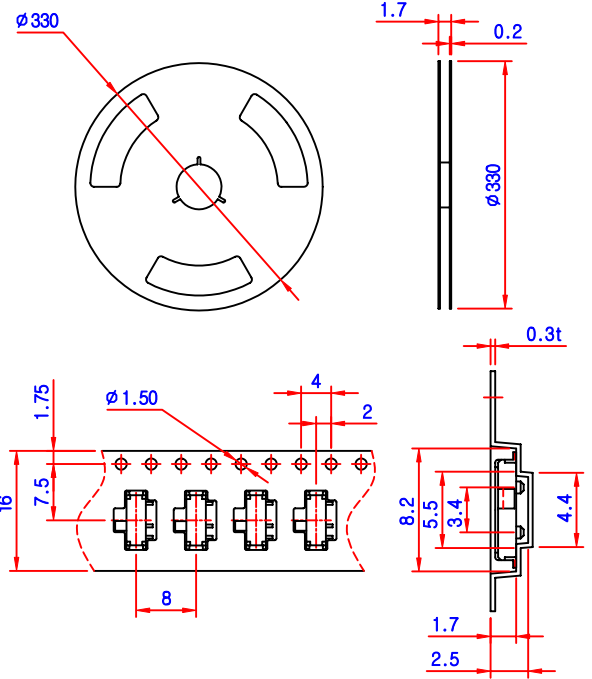
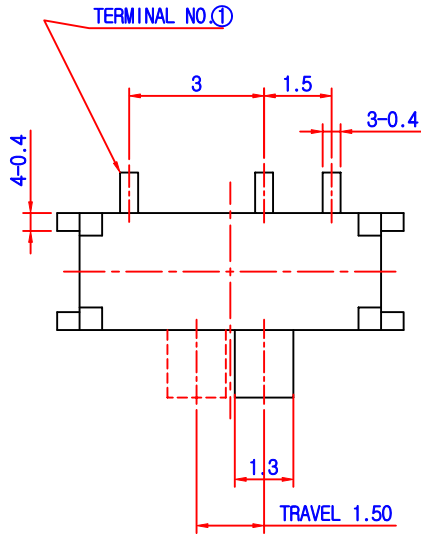
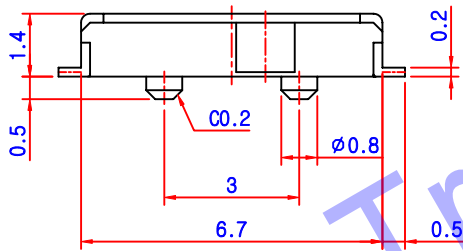
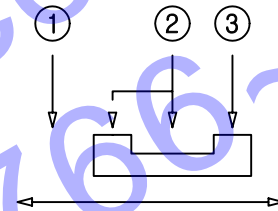


NO	MODEL	L(mm)
1		
2		
3		

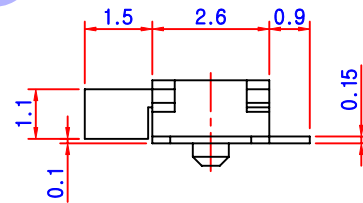
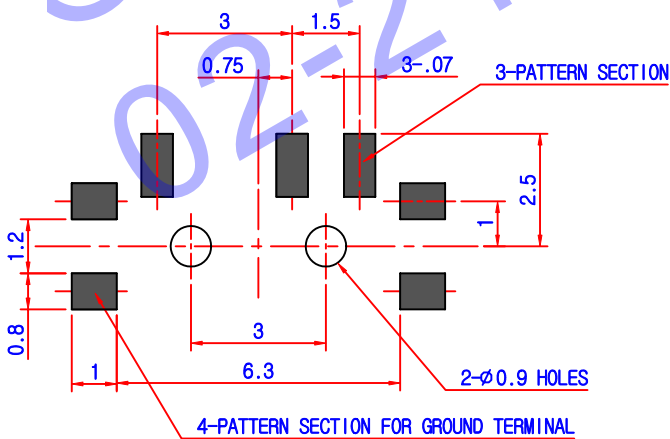
### Carrier Taping Dimension



### CIRCUIT DIAGRAM



### P.C.B. LAND DIAGRAM



### \* NOTES

1. RATING : DC 4V , 0.3A
2. CONTACT RESISTANCE : 70mΩ MAX
3. OPERATING FORCE : 150 ± 100gf
4. OPERATING LIFE : 10,000 CYCLES
5. KNOB THICKNESS : 0.4 or 1.1

DRAWN

DESIGNED

CHECKED

APPROVED

MODEL NO :

Kim jong pil

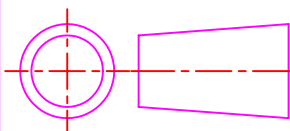
TITLE :

SLIDE S/W ASS"Y

SCALE : 4 : 1

FILE NO :

DATE : 2003



DWG NO ;