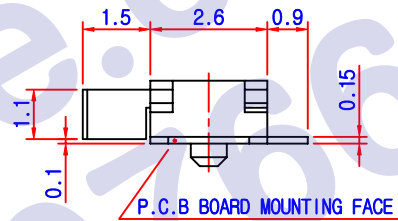
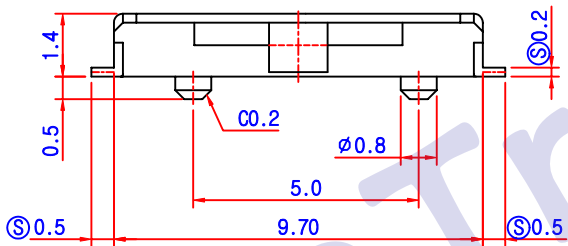
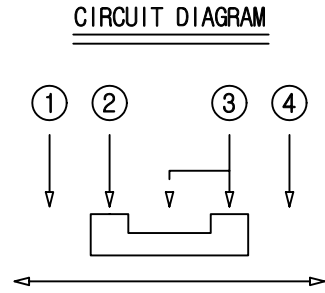
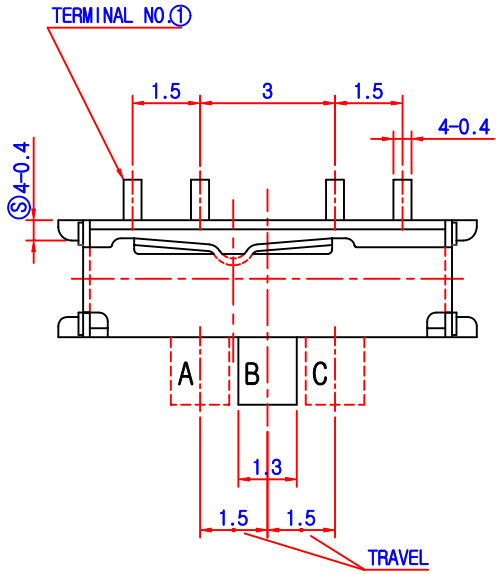
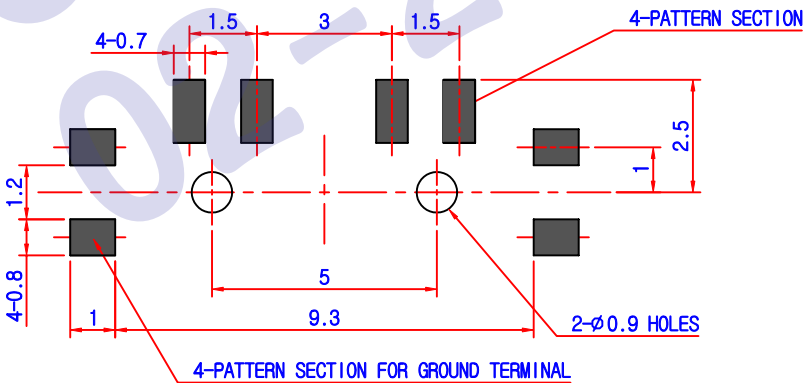


NO	MODEL	L(mm)
1		
2		
3		



P.C.B LAND DIAGRAM



* NOTE.

1. RATING : DC 4V , 0.3A
2. CONTACT RESISTANCE : 70mΩ MAX
3. OPERATING FORCE :
A → B, C → B = 150 ± 100gf
B → A, B → C = 200 ± 150gf
4. OPERATING LIFE : 10,000 CYCLES
5. KNOB THICKNESS : 1.1 mm

DRAWN

DESIGNED

CHECKED

APPROVED

MODEL NO :

- 1300

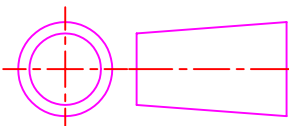
Kim jong pil

TITLE :

SLIDE S/W ASS"Y

SCALE :

3 : 1



FILE NO :

DATE : 2003

DWG NO ;