

1

2

3

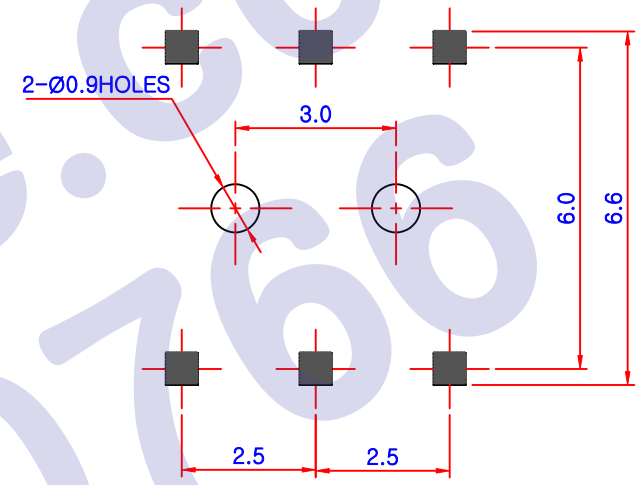
4

5

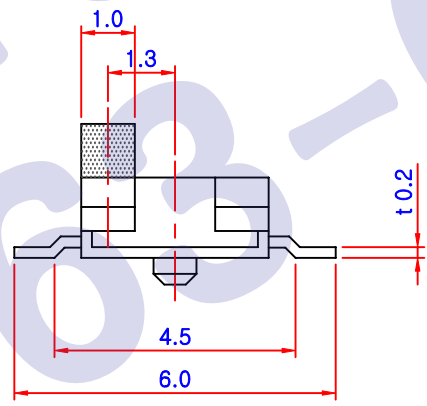
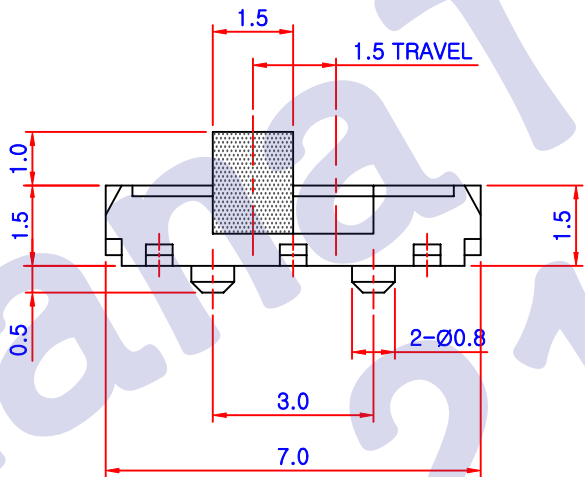
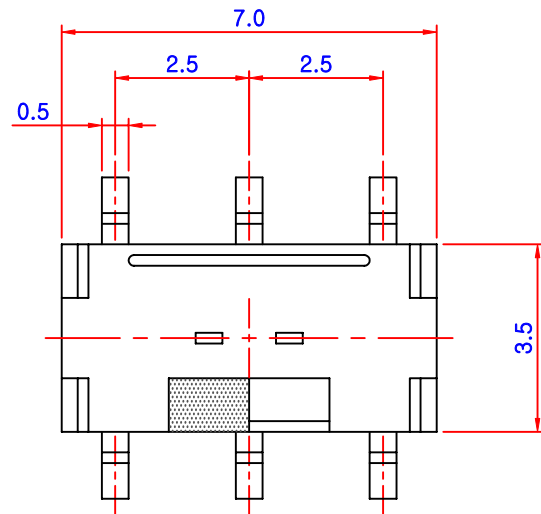
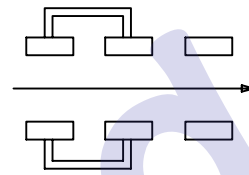
6

NO	DESCRIPTION	SPECIFICATION	Q'TY	MATERIAL	REMARK
1					
2					

P.C.B LAND DIAGRAM



CIRCUIT DIAGRAM



\* NOTES

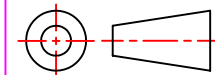
1. RATING : DC 4V , 0.3A
2. CIRCUIT : 2C - 2P
3. TIMING : NON - SHORTING
4. OPERATING FORCE : 250 ± 150gf
5. TRAVEL : 1.5 + 1.5
6. INSULATION RESISTANCE : 100mΩ min. 100V DC

FRAME

REVD/DATE

NAME

MARK	REVISION	DESCRIPTION	DATA	NAME	REMARK
2					
1					



MODEL NAME : - 1390A

GENERAL TOLERANCE				UNIT	mm
0 - 4	±0.05	±0.1	±0.2	SCALE	10/1
4 - 16	±0.08	±0.15	±0.3	PAPER	A4
16 - 64	±0.12	±0.25	±0.5	PAGE	1-1
64 - 250	±0.25	±0.4	±0.8		

TITEL : SLIDE S/W ASS'Y

DRAWING NUMBER : SS1390A2004

DRAWING DESIGN APPROVAL DATE : 2003

1

2

3

4

5

6