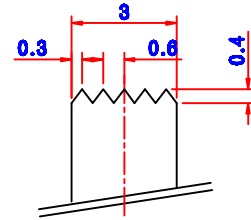
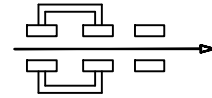


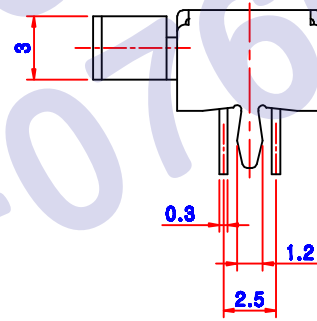
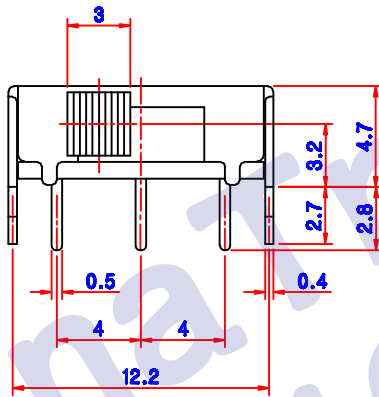
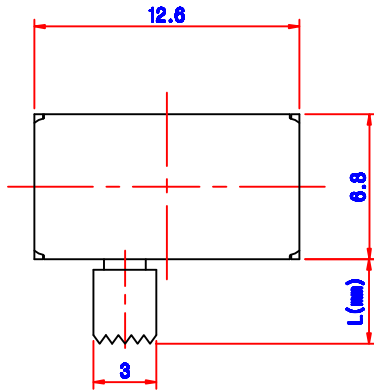
NO	MODEL	L(mm)
1	SS - 2203	3
2	SS - 2203A	6
3		



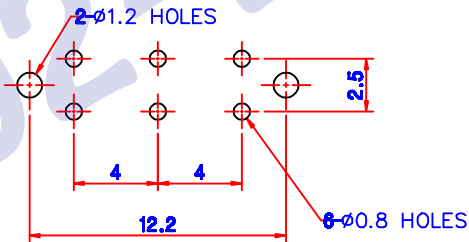
DETAIL KNOB (5:1)



CIRCUIT DIAGRAM



P.C.B DIAGRAM



*** NOTES**

1. RATING : 30V DC , 0.2A
2. CIRCUIT : 2C - 2P
3. TIMING : NON SHORTING
4. TRAVEL : 2.0 mm
5. OPERATING FORCE : 200 ± 100gf

DWG . BY	DES 'N BY	CH 'D BY	APP 'O BY	MODEL NO :
kim jong pil				TITLE : SLIDE S/W ASS'Y
SCALE : 3 : 1				DWG NO ;
FILE NO :				
DATE : 2003 ,				