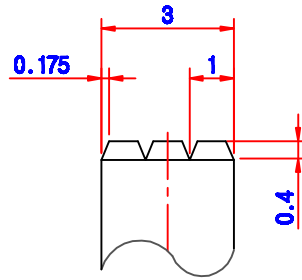
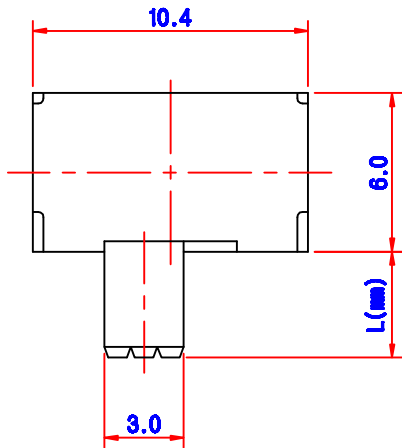
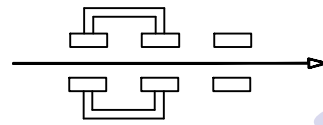


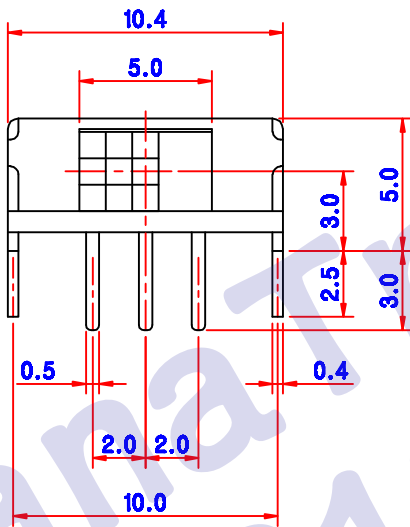
NO	MODEL	L(mm)
1	SS-2207	2
2	SS-2207 A	4
3	SS-2207 B	6



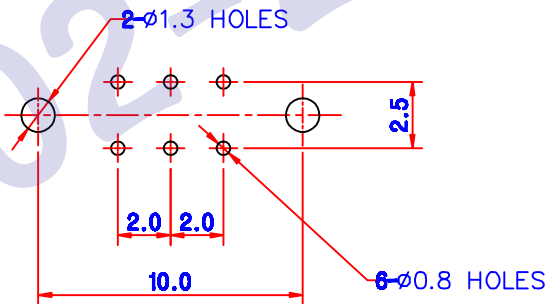
DETAIL KNOB (5:1)



CIRCUIT DIAGRAM



P.C.B DIAGRAM



*** NOTES**

1. RATING : 30V DC, 0.2A
2. CIRCUIT : 2C - 2P
3. TIMING : NON SHORTING
4. TRAVEL : 2.0 mm
5. OPERATING FORCE : 200 ± 100gf
6. TERMINAL : P.C.Board Terminal

DWG . BY DES ' N BYCH ' D BYAPP ' O BY **MODEL NO :**

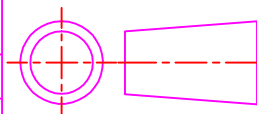
kim jong pil

TITLE : SLIDE S/W ASS'Y

SCALE : 3 : 1

FILE NO :

DATE : 2004 , 08



DWG NO ;