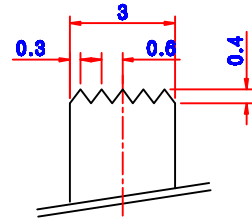
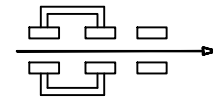
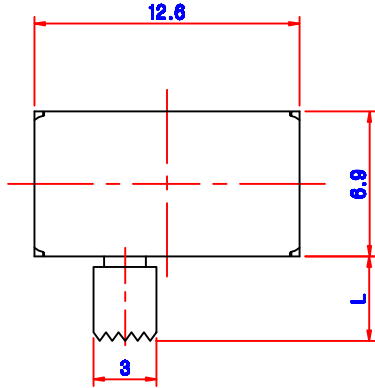


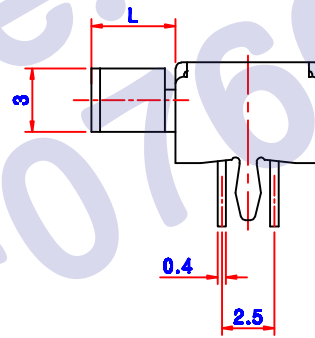
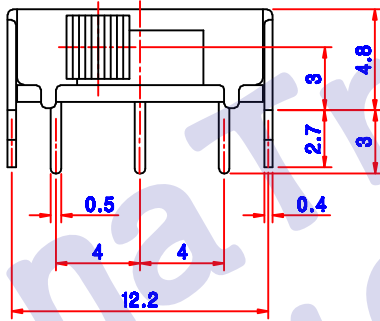
NO	MODEL	L(mm)
1	SS - 2215	3
2	SS - 2215A	6
3	SS - 2215B	9



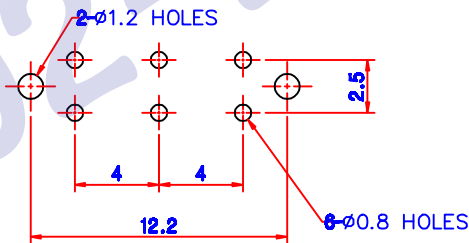
DETAIL KNOB (5:1)



CIRCUIT DIAGRAM



P.C.B DIAGRAM



*** NOTES**

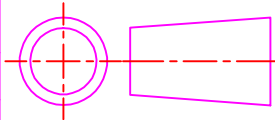
1. RATING : 50V DC , 0.3A
2. CIRCUIT : 2C - 2P
3. TIMING : NON SHORTING
4. TRAVEL : 4.0 mm
5. OPERATING FORCE : 200 ± 50gf

DWG . BY **DES 'N BY** **CH 'D BY** **APP 'O BY** **MODEL NO :**

kim jong pil

TITLE : **SLIDE S/W ASS'Y**

SCALE : **3 : 1**



FILE NO :

DATE : 2003 ,

DWG NO ;