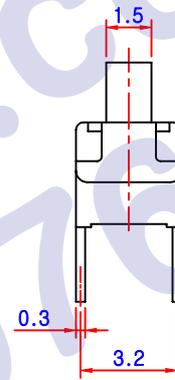
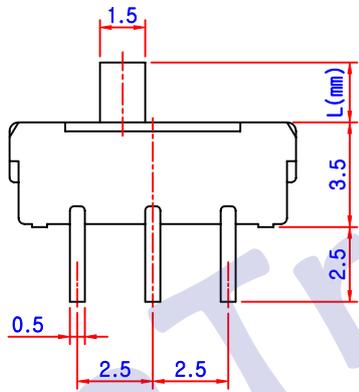
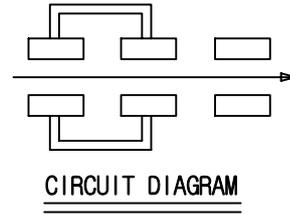
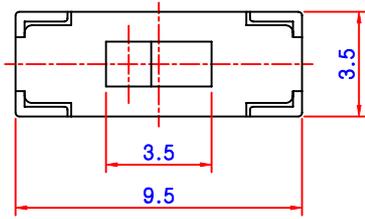
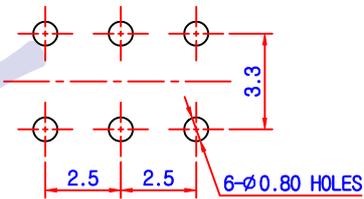


NO	M O D E L	L (mm)
1	SS-2235	3
2	SS-2235A	4
3		



P.C.B DIAGRAM



\* NOTES

1. RATING : 6V DC, 0.3A
2. CIRCUIT : 2C - 2P
3. TIMING : NON SHORTING
4. TRAVEL : 2.0 mm
5. OPERATING FORCE : 200 ± 100gf

DRAWN	DESIGNED	CHECKED	APPROVED
Kim Jong Pil			

**MODEL NO :** - 2235  
**TITLE :** SLIDE S/W ASS'Y

SCALE : 5 : 1	
FILE NO :	
DATE : 2003 3, 19	

DWG NO ;