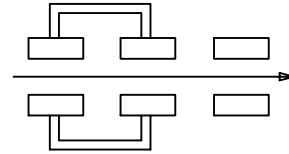
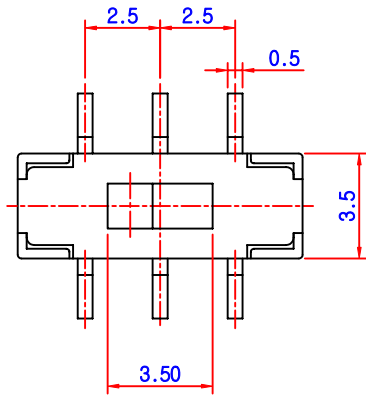
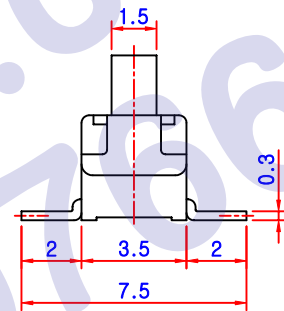
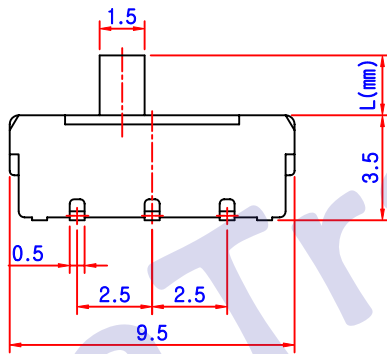


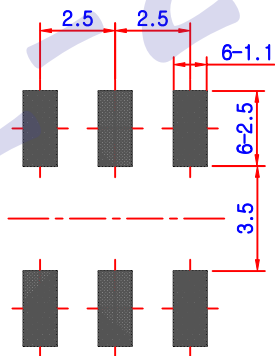
NO	M O D E L	L(mm)
1	SS-2235 S	2
2	SS-2235 SA	4
3		



CIRCUIT DIAGRAM



P.C.B DIAGRAM



* NOTES

1. RATING : 6V DC, 0.3A
2. CIRCUIT : 2C - 2P
3. TIMING : NON SHORTING
4. TRAVEL : 2.0 mm
5. OPERATING FORCE : 200 ± 100gf

DRAWN	DESIGNED	CHECKED	APPROVED
Kim jong pil			

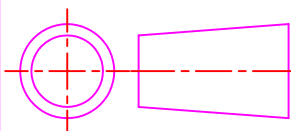
MODEL NO : - 2235S

TITLE : SLIDE S/W ASS'Y

SCALE : 5 : 1

FILE NO :

DATE : 2003 ,



DWG NO ;