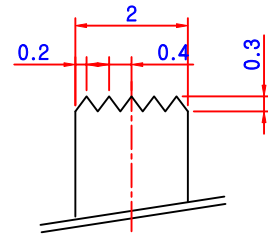
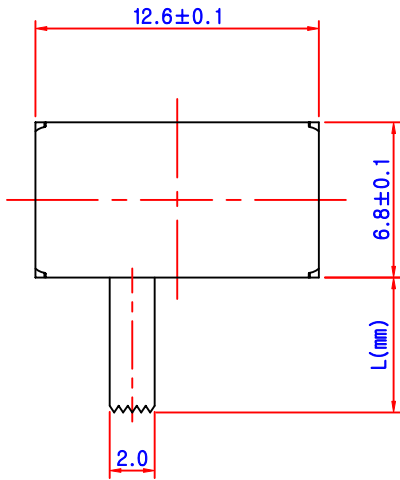
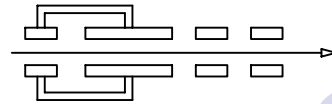


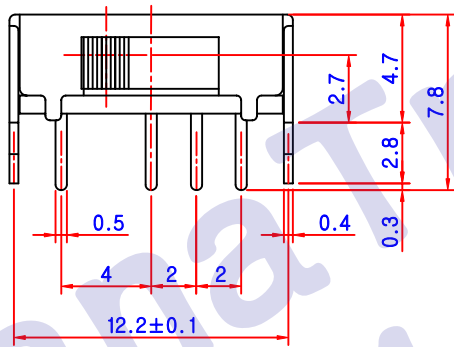
NO	MODEL	L.(mm)
1	SS - 2304	6
2	SS - 2304A	4



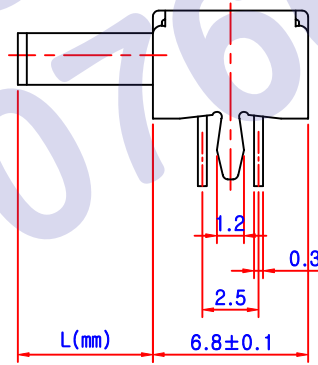
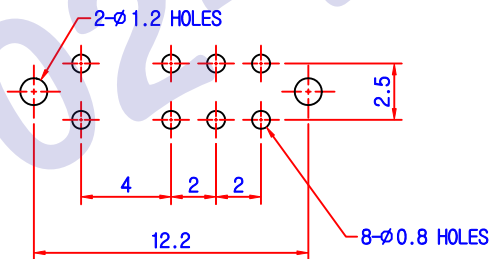
DETAIL KNOB (5:1)



CIRCUIT DIAGRAM



P.C.B DIAGRAM



* NOTES

1. RATING : 30V DC , 0.2A
2. CIRCUIT : 2C - 3P
3. TIMING : NON SHORTING
4. TRAVEL : 2 + 2
5. OPERATING FORCE :
L → C ← R : 200 ± 100gf
L ← C → R : 250 ± 100gf

DWG . BY DES 'N BY CH 'D BY APP 'O BY

Kim jong pil

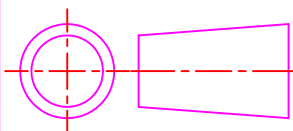
MODEL NO :

TITLE : SLIDE S/W ASS'Y

SCALE : 3 : 1

FILE NO :

DATE : 2003 ,



DWG NO ;