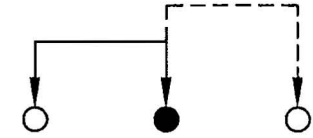
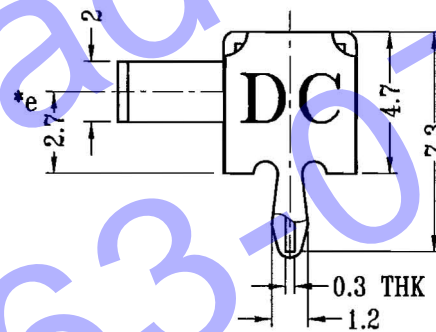
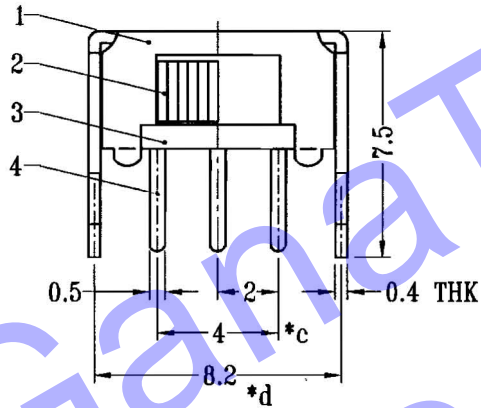
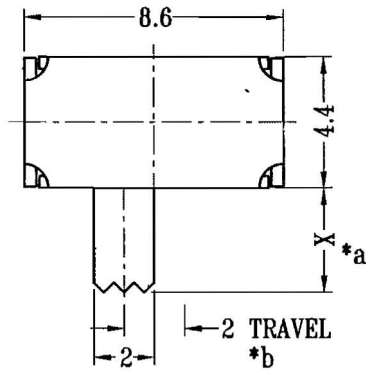
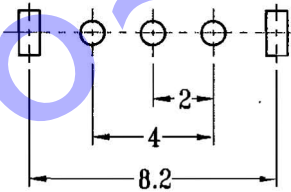


CAD FILE:



SCHMATIC (NON-SHORTING)



P.C.B LAYOUT
BOTTOM VIEW

注：“*”表示关键尺寸(5个)

| NO. | PARTS | MATERIALS | Q'TY | FINISH | TOLERANCE UNLESS SPECIFIED | ISSUE | DATE | DESCRIPTIONS OF REVISION | APPD. | |
|-----|--------------|----------------|------|--------------------------|---------------------------------|-------|-------------|--------------------------|-----------------------|----------------------------|
| 8 | | | | | | | | | | |
| 7 | | | | | | | | | | |
| 6 | SPRING PLATE | SUS | 1 | NATURAL | WITHIN 1.5mm : ±0.1mm | A | 21-Apr-2011 | 初版 | | |
| 5 | CONTACT CLIP | PBS C5210R-EH | 1 | Ag CLAD | OVER 1.5mm : ±0.2mm | ISSUE | DATE | DESCRIPTIONS OF REVISION | APPD. | |
| 4 | TERMINAL | BRASS STRIP | 3 | Ag PLATED OVER Ni PLATED | TITLE : HORIZONTAL SLIDE SWITCH | | | | UNIT : mm | DRWG NO.: TT-DR-SK12D02-00 |
| 3 | BASE | PHENOLIC RESIN | 1 | NATURAL | MODEL: SK-12D02 | | | | SCALE: 4:1 | DWN. 李宁 21-Apr-2011 |
| 2 | KNOB | POM | 1 | BLACK | H D C 有限公司私 | | | | CHK'D 陈丽冰 21-Apr-2011 | |
| 1 | FRAME | STEEL STRIP | 1 | Ni PLATED | | | | | APPD. 曹子博 21Apr2011 | |