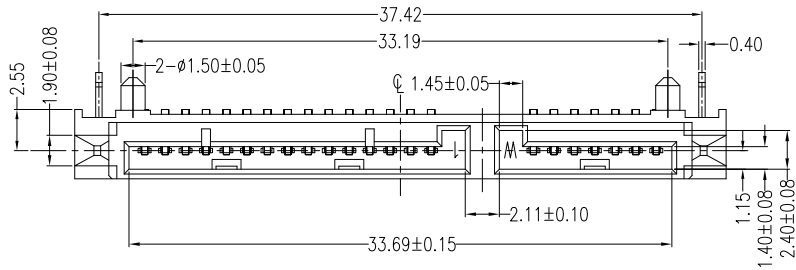


REV.	ECN.NO.	DATE
A	RELEASED	01/09/08
E	Change Harpoon and notes	01/09/12
F	Modify & Add Plastic Post Dimension	01/13/14



Signal Name	Segment Type
S1	GND
S2	A+
S3	A-
S4	GND
S5	B-
S6	B+
S7	GND

Power Segment			
Name	Type	Name	Type
P1	V33	P9	V5
P2	V33	P10	GND
P3	V33	P11	DAS/DSS
P4	GND	P12	GND
P5	GND	P13	V12
P6	GND	P14	V12
P7	V5	P15	V12
P8	V5		

Notes:

***Material**

Housing: LCP, UL 94V-0 Rated, Color: Black
 Contact: Phosphor Bronze
 Plating: Au Plating Over Ni(40u"Min) On Contact Area
 Sn(100u"Min) Plating On Solder Tail.
 Harpoon: Brass
 Plating: Sn(100u"Min)Plating Over Ni(50u"Min)

***Mechanical**

Insertion Force: 45N Max.
 Withdrawal Force: 10N Min.
 Durability: 500 Cycles

***Electrical Specification**

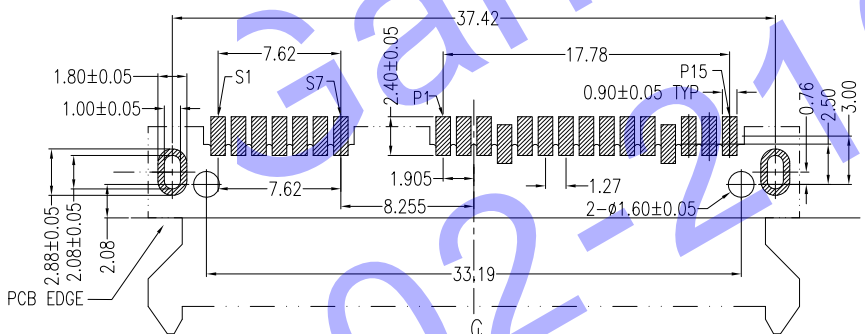
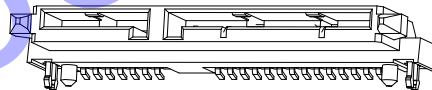
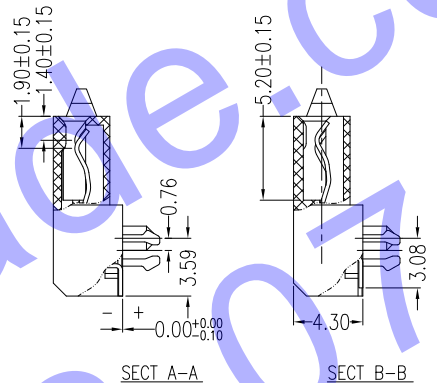
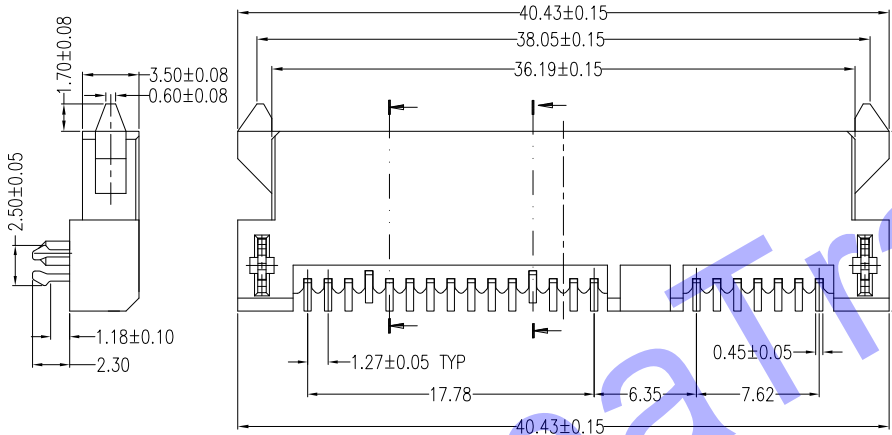
Current Rating: 1.5 Ampere Per Contact;
 Contact Resistance: 30 mΩ Max.
 Insulation Resistance: 1000 MΩ Min.
 Dielectric Withstanding Voltage: 500V AC.

***Environmental**

Operating Temperature: -55°C To +85°C

***How to Order:**

22DL1PEU 3
 Blank: Tube 3: Tray
 W: Winning Mark; Blank: No Mark
 U: Lead Free
 E: Reverse SMT(4.30)
 P: Phosphor Bronze
 1: Black
 L: LCP
 Selective Au: A:>0.8u"; B:5u"; D:15u"
 NO. of Contacts



P.C.B LAYOUT (T=1.20)
 COMPONENT SIDE

REV Modify Dimension 36.20 → 36.19 & Add Plastic Post φ1.50±0.05

Units	mm	Scale	2:1	Drawing By	Data
				Ares	01/13-'14
Tolerance Unless Otherwise Specified				Reviewed By	Data
.X	~	±0.38		Rosh	01/16-'14
.XX	~	±0.25		Approval By	Data
.XXX	~	±0.20		Richard	01/16-'14
Angle	~	± 3°			

H D C 有限公司

Date	01/13/14	Title	WATB S ATA 7+15P 90°Female Reverse SMT Type(4.30)
Sheet	1 of 1		
Third Angle Projection		Drawing No.	22PS-AN-W186
REV	F		