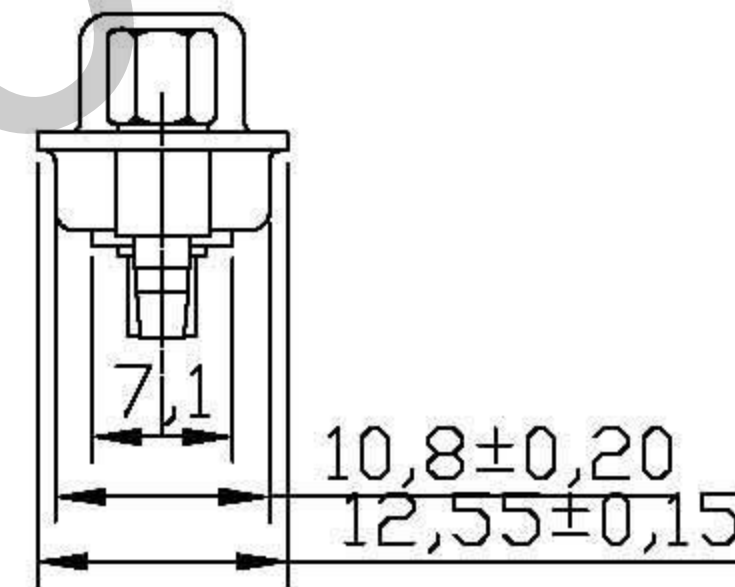
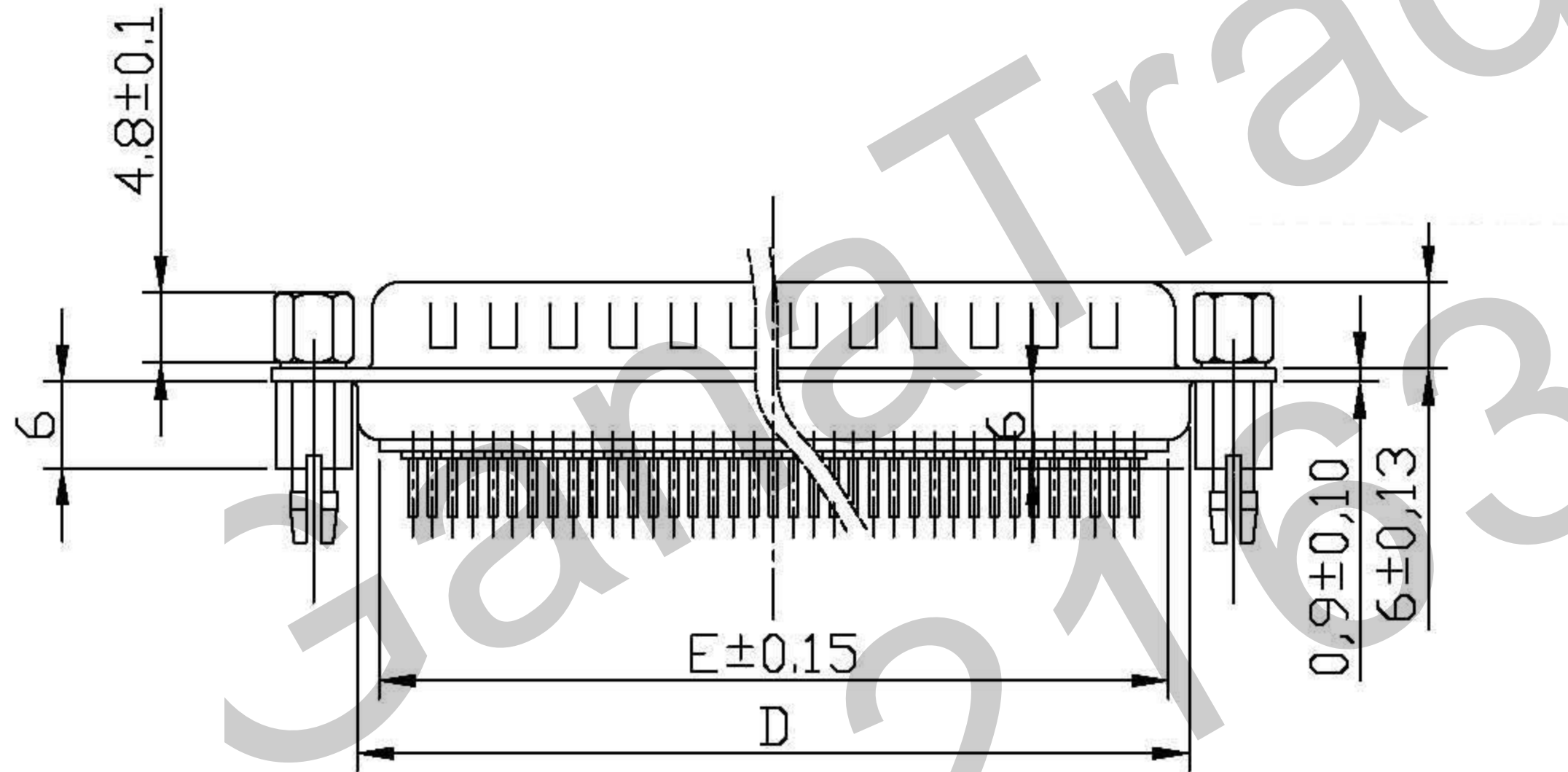
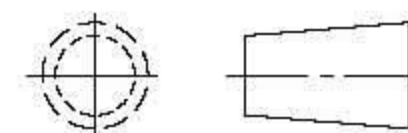


NOTES:
 INSULATION RESESTANCE(MIN.):1000MOHMS
 CURRENT RATING(MAX.): 3amp AC/DC
 WITHSTANDING VOLTAGE:1000VAC
 CONTACT RESISTANCE(MAX.)30m chms
 OPERATION TEMPERATURE:-55°~+105°
 MATERIAL:
 CONTACT:BRASS OR PHOSPHOR BRONZE
 INSULATION:PBT+30%GLASS FIBER.UL 94V-0
 SHELL;STEEL
 NOTICE: THE DIMENSION MAKED WITH " * "
 MUST BE CONTROLLED BY QC.



POS.	A	B	C	D	E
9	30.81	24.99	18.20	19.28	15.60
15	39.14	33.32	26.40	27.65	24.60
25	53.04	47.04	40.10	41.30	38.00
37	69.32	63.50	56.50	57.44	54.50

UNLESS TOLERANCE	
GENERAL	ANGLE
X. ± 0.30	X." ± 3'
.X ± 0.20	.X' ± 2'
.XX ± 0.15	.XX" ± 1'
.XXX ± 0.05	.XXX' ± 0.5'



DRAW BY:	STEVEN	2008-04-15	PAPT NO: 1157-009-202-014
DESIGN BY:	STEVEN	2008-04-15	
CHECK BY:	TONY	2008-04-15	ITEM :
APPROVE BY:			
SCALE	SHEET	UNIT	DRW NO: DG-1157-XXX-202-014 REV: 1.1
1:1	1/1	mm	